

A Brief History...

Founded in 1906 by innovative young engineer, Frank Moore, Moore & Wright has been designing, manufacturing and supplying precision measuring equipment to global industry for over 100 years. With roots fixed firmly in Sheffield, England, the company began by manufacturing a range of calipers, screwdrivers, punches and other engineer's tools. Following investment from Mrs Wright, a shrewd Sheffield businesswoman, Frank was able to expand the business and further develop his innovative designs.

By the mid-nineteen twenties, thanks to the company's enviable reputation, Moore & Wright was approached by the UK Government to consider manufacturing a range of quality micrometers. It was in this field that Moore & Wright's status as UK agent for the Swiss Avia range of products and subsequent acquisition of the Avia brand and manufacturing rights, proved invaluable. A set of working drawings was obtained from Switzerland and reworked based on popular American designs, whilst incorporating Moore & Wright's own innovations. The ensuing range of high quality instruments resulted in world renown for Moore & Wright micrometers. These early, classic designs are regarded as the origin of today's comprehensive range of micrometers, now used in every industrialised country throughout the world.

During World War Two, the overwhelming demand for Moore & Wright micrometers resulted in the opening of two further factories in England with production levels reaching an incredible 20,000 micrometers per month.

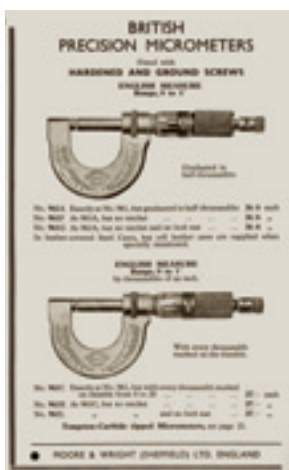
By the end of World War Two, control of the company had passed to Frank Moore's daughter who subsequently sold the business to John Shaw Company in 1945. John Shaw recognised the skill and business acumen of the Moore & Wright staff granting them a level of autonomy. This allowed them to continue to develop innovative new products that could be marketed in both the UK and overseas. Soon the company was producing a diverse range of precision tools, including small hole gauges, telescopic gauges and a wide range of vernier calipers.

By the early 1950s Moore & Wright's vastly expanded product portfolio and increased levels of production, meant that it had outgrown its current production sites. The answer to the company's manufacturing bottlenecks was to be found in a new state-of-the-art production facility in Sheffield.

In 1970, Moore & Wright was acquired by the Neill Tools Group, when the John Shaw Company was purchased by Neill Tools, as part of its ongoing ambitious acquisition program. The years that followed saw an increased threat to company sales from products exported to the UK from overseas manufacturers. Helped by the purchase of well-known micrometer manufacturer, Shardlow and the quality caliper producer Bensons,

Neill Tools jealously defended Moore & Wright's business. The company also embarked on a progressive micrometer design and development programme. After adopting the suggested manufacturing and product design improvements, Moore & Wright launched Micro 2000, the world's first hand-held electronic micrometer. The company was proud to be awarded the coveted Queens Award For Technological Achievement in 1977 for this groundbreaking new product.

Now part of the eminent Bowers Metrology Group and with production facilities in the UK and China, Moore & Wright continues its commitment to supplying worldwide industry with high quality, affordable products. Its ongoing pledge to research and development should ensure that this great British company remains at the forefront of global innovation.





PAGE NO.

Calipers 2-21



Depth Gauges 22-26

Digital Scales 27



Height Gauges 28-30

Micrometers 31-66



Bore Gauging 67-72

Indicators 73-75

Thickness Gauges 76-77

Magnetic Indicator Stands 78-80



Combination Sets 81-82

Protractors 83-84

Engineers Levels 85-86



Workshop Tools 87-99

Hand Tools 100-107

Retail Packs 108

Accreditation Bodies 109



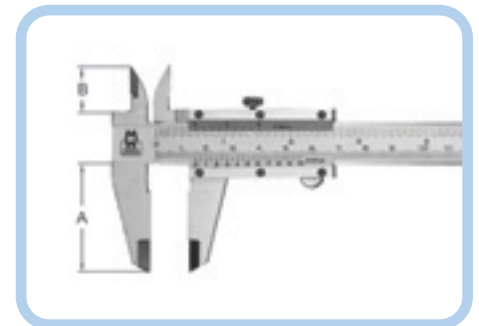
Index 110-113

Workshop Vernier Caliper 100 Series

Features

Standard DIN 862

- Standard workshop model with stop screw
- Assembly slider model
- 4-way measurement
- Made of hardened alloyed stainless steel
- Chromed scale with engraved graduations
- Measuring surface is micro-lapped
- Packed in plastic box



WORKSHOP VERNIER CALIPER

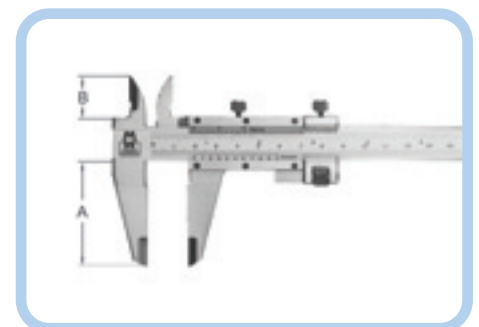
Code No	Range	Resolution	Length of jaws (A)
MW100-15B	0-150mm / 0-6"	0.05mm - 1/128"	40mm
MW100-20B	0-200mm / 0-8"	0.05mm - 1/128"	50mm
MW100-30B	0-300mm / 0-12"	0.05mm - 1/128"	55mm
MW100-15BI	0-150mm / 0-6"	0.02mm - 0.001"	40mm
MW100-20BI	0-200mm / 0-8"	0.02mm - 0.001"	50mm
MW100-30BI	0-300mm / 0-12"	0.02mm - 0.001"	55mm

Workshop Vernier Caliper 105 Series

Features

Standard DIN 862

- Standard workshop model with stop screw
- Equipped with fine adjustment
- 4-way measurement
- Assembly slider model
- Made of hardened alloyed stainless steel
- Chromed scale with engraved graduations
- Measuring surface is micro-lapped
- Packed in plastic box



WORKSHOP VERNIER CALIPER

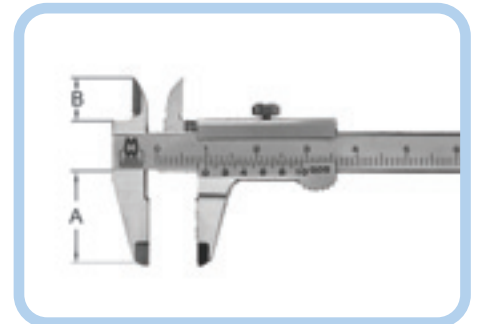
Code No	Range	Resolution	Length of jaws (A)
MW105-20	0-200mm / 0-8"	0.05mm - 1/128"	50mm
MW105-30	0-300mm / 0-12"	0.05mm - 1/128"	55mm
MW105-20I	0-200mm / 0-8"	0.02mm - 0.001"	50mm
MW105-30I	0-300mm / 0-12"	0.02mm - 0.001"	55mm

Precision Miniature Vernier Caliper 110 Series

Features

Standard DIN 862

- Extra small precision vernier caliper
- Mono-block solid slider model
- 4-way measurement
- Made of hardened stainless steel
- Chromed scale with laser engraved graduations
- The scale shows both mm and inch value
- Measuring surface is micro-lapped
- Supplied with leather-look wallet



PRECISION MINIATURE VERNIER CALIPER

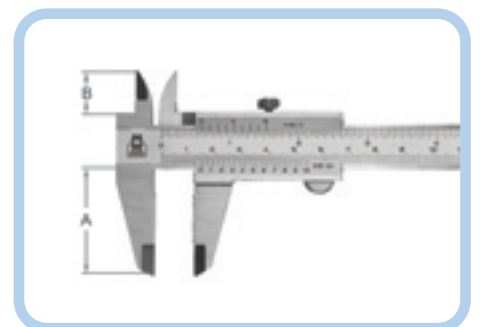
Code No	Range	Resolution	Length of jaws (A)
MW110-07	0-70mm	0.05mm	20mm

Precision Vernier Caliper 110 Series

Features

Standard DIN 862

- High precision vernier caliper
- 4-way measurement
- Mono-block solid slider model
- Made of hardened stainless steel
- Chromed scale with laser engraved graduations
- The scale shows both mm and inch value
- Measuring surface is micro-lapped
- Supplied with leather-look wallet
- Optional plastic box



PRECISION VERNIER CALIPER

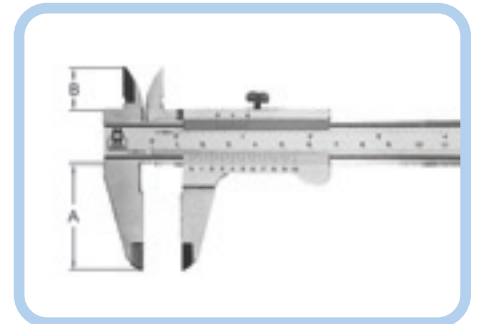
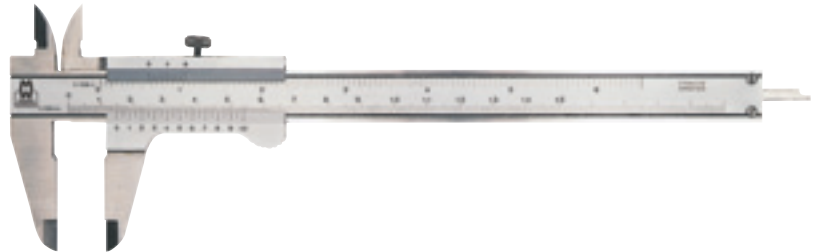
Code No	Range	Resolution	Length of jaws (A)
MW110-15	0-150mm / 0-6"	0.05mm - 1/128"	40mm
MW110-15I	0-150mm / 0-6"	0.02mm - 0.001"	40mm
MW110-20	0-200mm / 0-8"	0.05mm - 1/128"	40mm
MW110-30	0-300mm / 0-12"	0.05mm - 1/128"	55mm

High Precision Vernier Caliper 112 Series

Features

Standard: DIN 862

- Top model, superior design vernier caliper
- Convex slider shape for easy reading
- 4-way measurement
- Long life guaranteed
- Ultra low friction slider
- Chromed scale with laser engraved graduations
- Hardened up to 58 HRC
- Made of alloyed stainless steel
- Supplied with leather-look wallet



WORKSHOP VERNIER CALIPER

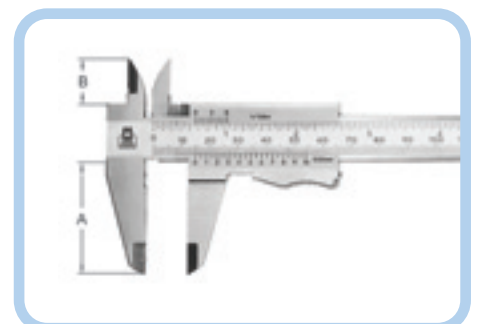
Code No	Range	Resolution	Length of jaws (A)
MW112-15	0-150mm / 0-6"	0.05mm - 1/128"	40mm
MW112-15I	0-150mm / 0-6"	0.02mm - 0.001"	40mm

Precision Vernier Caliper 115 Series

Features

Standard: DIN 862

- High precision vernier caliper
- Solid slider model, 4-way measurement
- Made of hardened stainless steel
- Chromed scale with laser engraved graduations
- The scale shows both mm and inch value
- Measuring surface is micro-lapped
- Supplied with leather-look wallet



WORKSHOP VERNIER CALIPER

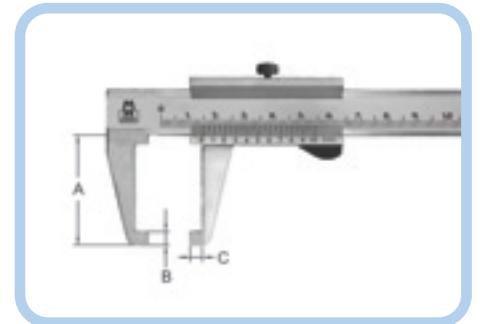
Code No	Range	Resolution	Length of jaws (A)
MW115-15	0-150mm / 0-6"	0.05mm - 1/128"	40mm
MW115-15I	0-150mm / 0-6"	0.02mm - 0.001"	40mm

Vernier Caliper for External Grooves 120 Series

Features

Standard: DIN 862

- Mono-block solid slider model
- Made of hardened stainless steel
- Chromed scale with laser engraved graduations
- Measuring surface is micro-lapped
- Packed in plastic box



VERNIER CALIPER FOR EXTERNAL GROOVES

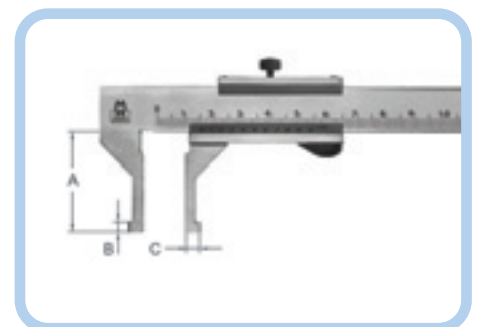
Code No	Range	Resolution
MW120-15	0-150mm	0.05mm

Vernier Caliper for Internal Grooves 125 Series

Features

Standard: Factory Standard

- Mono-block solid slider model
- Made of hardened stainless steel
- Measuring surface is micro-lapped
- Packed in plastic box



WORKSHOP VERNIER CALIPER

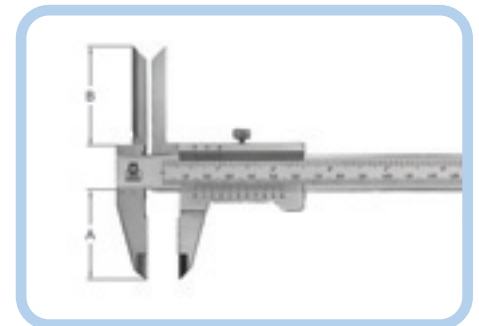
Code No	Range	Resolution
MW125-15	0-150mm / 0-6"	0.05mm - 1/128"

Inside Vernier Caliper 145 Series

Features

Standard: Factory Standard

- Features extra long jaws for inside measurement
- High precision model with mono block solid slider
- 4-way measurement possible
- Made of alloyed hardened stainless steel
- Chromed scale with engraved graduations
- Measuring surface is micro-lapped



INSIDE VERNIER CALIPER

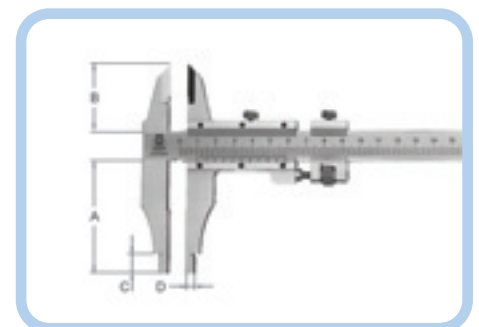
Code No	Range	Resolution	Length of jaws (A)
MW145-15	0-150mm / 0-6"	0.05mm / 1/128"	43mm
MW145-15I	0-150mm / 0-6"	0.02mm / 0.001"	43mm

Workshop Vernier Caliper 160 Series

Features

Standard: Factory Standard

- Combination-jaw model
- Separate jaws for internal and external measurement
- Stop screw for locking the slider/jaws
- Made of hardened stainless steel
- Chromed scale with engraved graduations
- Measuring surface is micro-lapped
- With fine adjustment



WORKSHOP VERNIER CALIPER

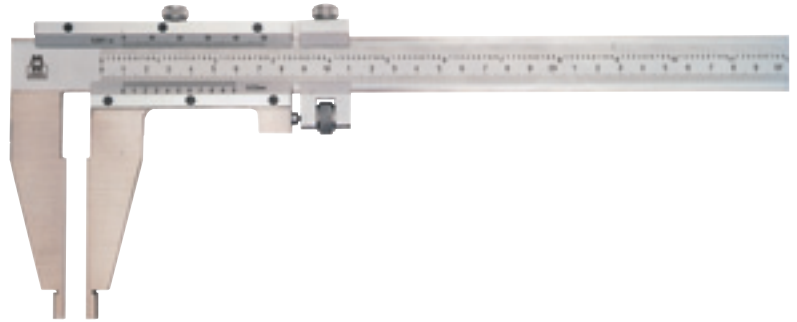
Code No	Range	Resolution	Length of jaws (A)
MW160-20	0-200mm	0.05mm	60mm
MW160-22	0-200mm	0.02mm	60mm
MW160-30	0-300mm	0.05mm	90mm
MW160-32	0-300mm	0.02mm	90mm
MW160-50	0-500mm	0.05mm	150mm
MW160-52	0-500mm	0.02mm	150mm

Large Workshop Vernier Caliper 150 Series

Features

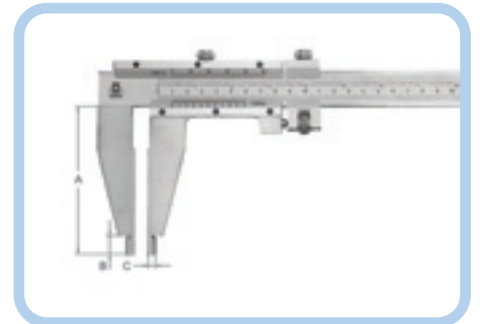
Standard: Factory Standard

- Standard workshop model with stop screw
- Mono block solid slider
- Made of hardened alloyed stainless steel
- Jaws for internal and external measurement
- Chromed scale with laser engraved graduations
- Measuring surface is micro-lapped
- With fine adjustment
- Packed in wooden box



LARGE WORKSHOP VERNIER CALIPER

Code No	Range	Resolution	Length of jaws (A)
MW150-52	0-500mm / 0-20"	0.02mm - 0.001"	100mm
MW150-55	0-500mm / 0-20"	0.05mm - 1/128"	100mm
MW150-62	0-600mm / 0-24"	0.02mm - 0.001"	100mm
MW150-65	0-600mm / 0-24"	0.05mm - 1/128"	100mm
MW150-72	0-1000mm / 0-40"	0.02mm - 0.001"	125mm
MW150-75	0-1000mm / 0-40"	0.05mm - 1/128"	125mm
MW150-82	0-1500mm / 0-60"	0.02mm - 0.001"	150mm
MW150-85	0-1500mm / 0-60"	0.05mm - 1/128"	150mm
MW150-92	0-2000mm / 0-80"	0.02mm - 0.001"	200mm
MW150-95	0-2000mm / 0-80"	0.05mm - 1/128"	200mm
MW150-96	0-2500mm / 0-100"	0.05mm - 1/128"	200mm
MW150-97	0-3000mm / 0-120"	0.05mm - 1/128"	200mm



Solid Slider Large Workshop Vernier Caliper 152 Series

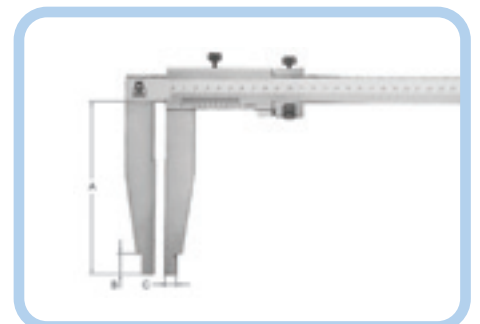
Features

- Standard workshop model with stop screw
- Mono block solid slider
- Made of hardened alloyed stainless steel
- Jaws for internal and external measurement
- Chromed scale with laser engraved graduations
- Measuring surface is micro-lapped
- With fine adjustment
- Packed in wooden box



SOLID SLIDER LARGE WORKSHOP VERNIER CALIPER

Code No	Range	Resolution	Length of jaws (A)
MW152-55	0-500mm	0.05mm	100mm
MW152-65	0-600mm	0.05mm	100mm
MW152-75	0-1000mm	0.05mm	125mm
MW152-85	0-1500mm	0.05mm	150mm
MW152-95	0-2000mm	0.05mm	200mm
MW152-96	0-2500mm	0.05mm	200mm
MW152-97	0-3000mm	0.05mm	300mm



Long Jaw Vernier Caliper 155 Series

Feature

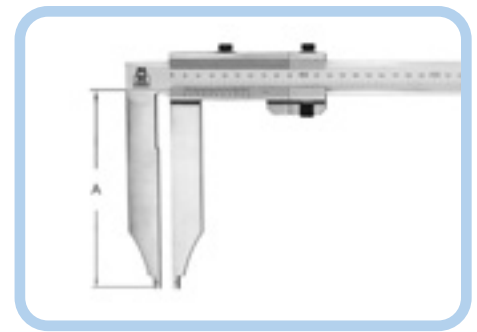
Standard: Factory Standard

- With longer jaws which permit the measurement of large workpieces
- Jaws for internal and external measurement
- Stop screw for locking the slider
- Made of hardened stainless steel
- Chromed scale with engraved graduations
- The scale shows both mm and inch value
- Measuring surface is micro-lapped
- With fine adjustment



LONG JAW VERNIER CALIPER

Code No	Range	Resolution	Length of jaws (A)
MW155-32	0-300mm / 0-12"	0.02mm - 0.001"	150mm
MW155-35	0-300mm	0.05mm	150mm
MW155-52	0-500mm / 0-20"	0.02mm - 0.001"	200mm
MW155-55	0-500mm	0.05mm	200mm
MW155-62	0-600mm / 0-24"	0.02mm - 0.001"	300mm
MW155-65	0-600mm	0.05mm	300mm
MW155-72	0-1000mm / 0-40"	0.02mm - 0.001"	300mm
MW155-75	0-1000mm	0.05mm	300mm
MW155-82	0-1500mm / 0-60"	0.02mm - 0.001"	300mm
MW155-85	0-1500mm	0.05mm	300mm
MW155-92	0-2000mm / 0-80"	0.02mm - 0.001"	300mm
MW155-95	0-2000mm	0.05mm	300mm

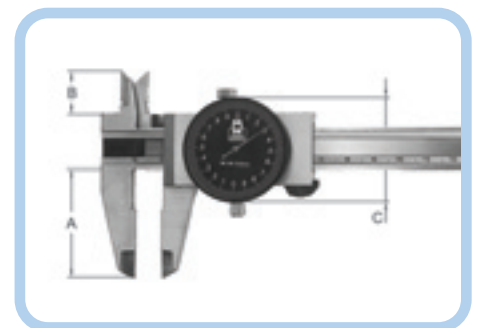


Dial Caliper 140 Series

Feature

Standard: Factory Standard

- Rapid movement model with roller-button
- Rack cover prevents dust or grit fouling teeth of rack
- High precision model with mono block solid slider
- 4-way measurement
- Made of alloyed hardened stainless steel
- Chromed scale with engraved graduations
- Measuring surface is micro-lapped
- Black indicator plate with clear red pointer



DIAL CALIPER

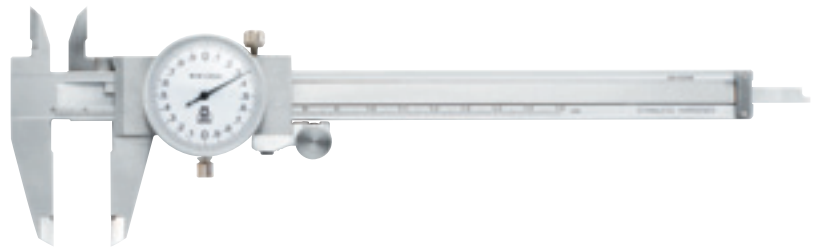
Code No	Range	Resolution	Length of jaws (A)
MW140-15	0-150mm	0.02mm	40mm
MW140-20	0-200mm	0.02mm	55mm
MW140-30	0-300mm	0.02mm	55mm

Dial Caliper 141 Series

Features

Standard: DIN 862

- Rapid movement with thumb wheel
- Covered rack
- 4-way measurement
- Hardened stainless steel rack
- Measuring surface is micro-lapped



METRIC DIAL CALIPER

Code No	Range	Resolution
MW141-15	0-150mm	0.02mm
MW141-15I	0-6"	0.001"

Dial Caliper 142 Series

Features

Standard: DIN 862

- High-quality shockproof dial caliper
- Rapid movement with thumb wheel
- Covered rack
- 4-way measurement
- Standard yellow metric face
- Hardened stainless steel rack
- Measuring surface is micro-lapped



METRIC DIAL CALIPER

Code No	Capacity	Resolution
MW142-15	0-150mm	0.02mm
MW142-20	0-200mm	0.02mm
MW142-30	0-300mm	0.02mm

Plastic Dial Caliper CDP150M

Features

Standard: Factory Standard

- Manufactured from glass reinforced nylon material
- Highly durable design
- $\pm 0.1\text{mm}$ accuracy
- Plastic depth rod



PLASTIC DIAL CALIPER

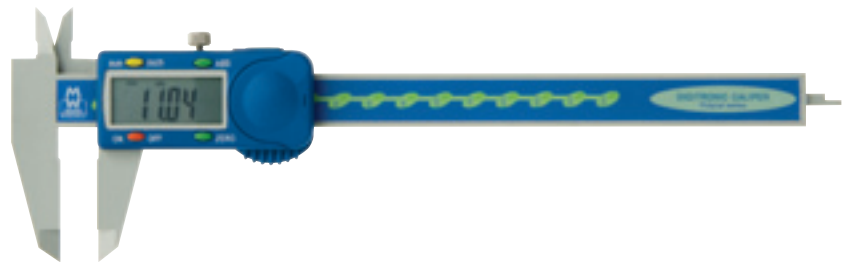
Code No	Capacity	Resolution
MWCDP150M	0-150mm	0.1mm

Polycal Digitronic Caliper

Features

Standard: Factory Standard

- Polycarbonate frame
- 4 way measurement
- Accuracy $\pm 0.2\text{mm}/0.008$
- Functions: mm/inch, zero setting, ABS/INC measurement
- Supplied retail packed with vinyl pouch



POLYCAL DIGITRONIC CALIPER

Code No	Capacity	Resolution	Jaw Length
MW110-15DPC	0-150mm/0-6"	0.01mm/0.0005"	40mm

Mechatronic Caliper 110 Series

Features

Standard: Factory Standard

- Top quality caliper with analog and digital reading
- Unique design
- Clear LCD display and laser engraved scale on one caliper
- Long life guaranteed
- Ground micro-lapped measuring surfaces
- Functions: mm/inch conversion, on/off, data-output, zero-setting, battery low indication



MECHATRONIC CALIPER

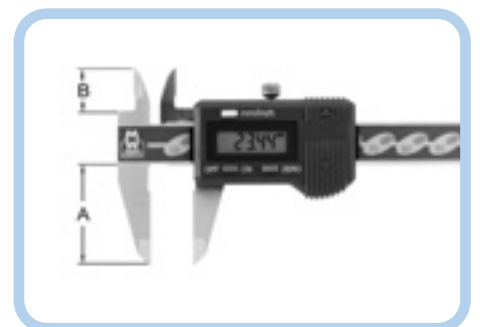
Code No	Range	Resolution	Length of jaws (A)
MW110-15DME	0-150mm/0-6"	0.01mm/0.0005"	40mm

Digitronic Pocket Caliper 110 Series

Features

Standard: Factory Standard

- Ultra small Digitronic caliper
- On/off switch
- Zero point at any position
- Displays values in mm and inch
- All metal parts made of hardened steel



DIGITRONIC POCKET CALIPER

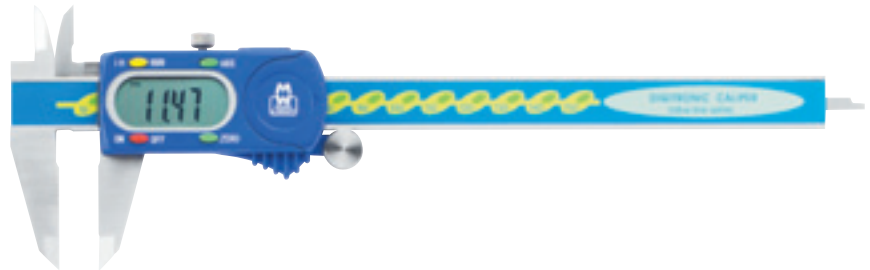
Code No	Range	Resolution	Length of jaws (A)
MW110-DPT	0-100mm/0-4"	0.01mm/0.0005"	30mm

Value Line Digitronic Caliper 110 Series

Features

Standard: DIN 862

- ABS/INC measurement
- Large LCD display
- On/off switch
- Zero point at any position
- Displays values in mm and inch
- All metal parts made of hardened stainless steel
- CR2032 battery



VALUE LINE DIGITRONIC CALIPER 110-DBL SERIES

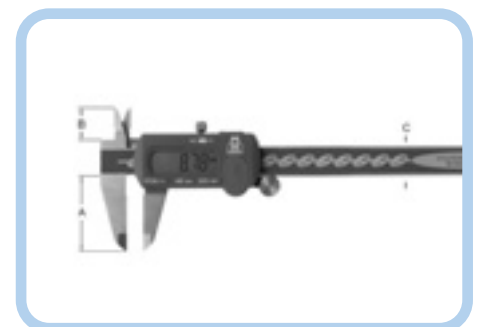
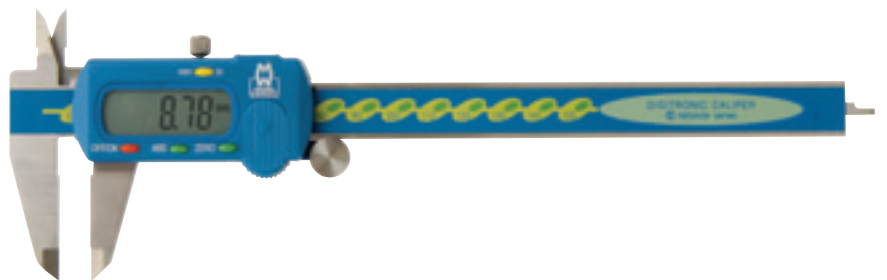
Code No	Capacity	Resolution	Jaw Length
MW110-15DBL	0-150mm/ 0-6"	0.01mm / 0.0005"	40mm
MW110-20DBL	0-200mm/ 0-8"	0.01mm / 0.0005"	50mm
MW110-30DBL	0-300mm/ 0-12"	0.01mm / 0.0005"	60mm

Digitronic Caliper 110 Series

Features

Standard: DIN 862

- Easy to read LCD display
- Ground micro-lapped measuring surfaces
- Thumb wheel for fine adjustment
- Functions: mm/inch conversion, on/off, zero-setting, battery low indication
- SR44 Battery



DIGITRONIC CALIPER 110-DDL SERIES

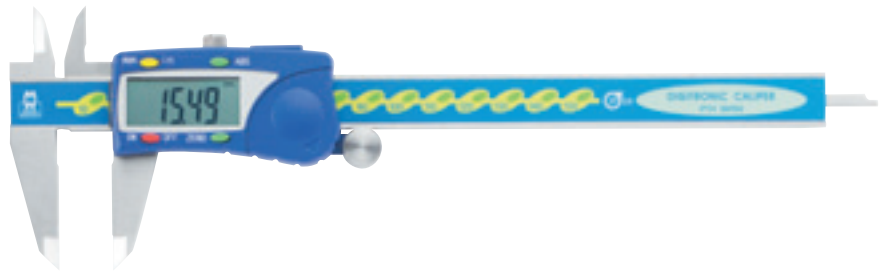
Code No	Capacity	Resolution	Jaw Length
MW110-15DDL	0-150mm/ 0-6"	0.01mm / 0.0005"	40mm
MW110-20DDL	0-200mm/ 0-8"	0.01mm / 0.0005"	50mm
MW110-30DDL	0-300mm/ 0-12"	0.01mm / 0.0005"	60mm

Water Resistant Digitronic Caliper IP54 Series

Features

Standard: DIN 862

- Water and dust resistant to IP54 specification
- Functions: mm/inch conversion, on/off, zero setting, ABS/INC measurement
- Patented ceramic capacitive sensor
- Large LCD display
- CR2032 battery



WATER RESISTANT DIGITRONIC CALIPER IP54 SERIES

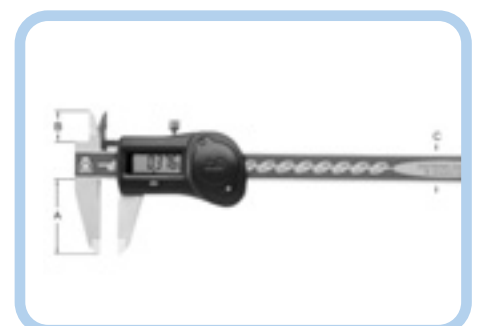
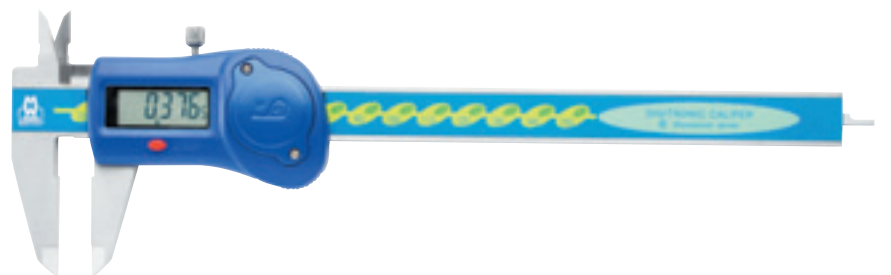
Code No	Range	Resolution	Length of Jaws (A)
MW110-15WR	0 - 150mm / 0 - 6"	0.01mm / 0.0005"	40mm
MW110-20WR	0 - 200mm / 0 - 8"	0.01mm / 0.0005"	50mm
MW110-30WR	0 - 300mm / 0 - 12"	0.01mm / 0.0005"	60mm

Waterproof Digitronic Caliper IP67 Series

Features

Standard: DIN 862

- Water, coolant and dust proof to IP67 specification
- Functions: mm/inch conversion, on/off, zero setting
- CR2032 battery



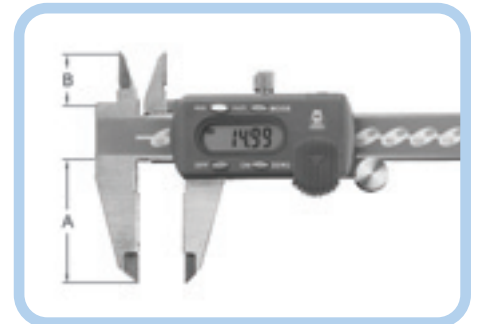
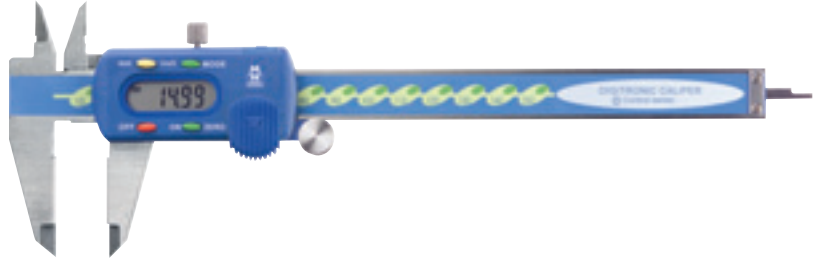
WATERPROOF DIGITRONIC CALIPER

Code No	Range	Resolution	Length of Jaws (A)
MW110-15DWP	0-150mm / 0-6"	0.01mm / 0.0005"	40mm

Digitronic Function Display Caliper 110 Series

Features

- Top quality digital caliper
- Features display with functions, max, min, hold
- Modern design
- Large 7.5mm character height digital display
- Long life guaranteed
- Ground micro-lapped measuring surfaces
- Standard with roller button for easy controlled operation
- Functions: mm/inch conversion, on/off, data-output, zero-setting, max, min, hold, battery low indication



DIGITRONIC DISPLAY CALIPER

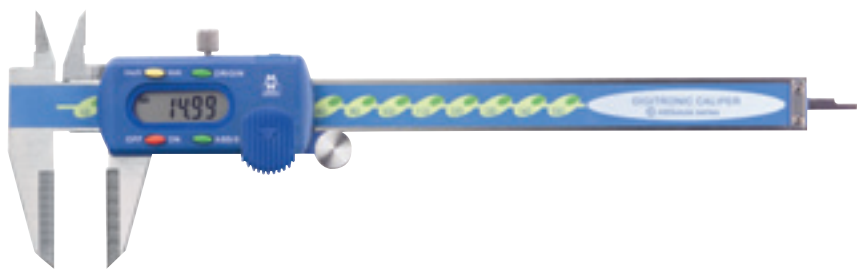
Code No	Range	Resolution	Length of jaws (A)
MW110-15DFD	0-150mm/0-6"	0.01mm/0.0005"	40mm

Carbide Tipped Digitronic Caliper 110 Series

Features

Standard: DIN 862

- Top quality digital caliper
- Features carbide tipped measuring jaws
- Modern design
- Large 7.5mm character height digital display
- Long life guaranteed
- Ground micro-lapped measuring surfaces
- Standard with roller button for easy controlled operation
- Functions: mm/inch conversion, on/off, data-output, zero-setting, battery low indication



CARBIDE TIPPED DIGITRONIC CALIPER

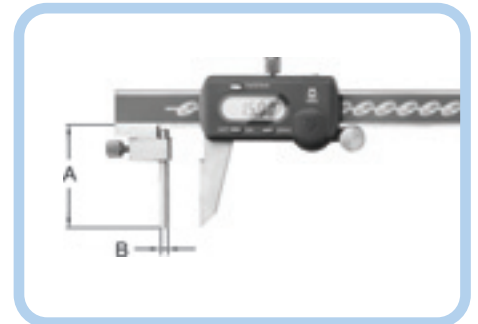
Code No	Range	Resolution	Length of jaws (A)
MW110-15DCT	0-150mm / 0-6"	0.01mm / 0.0005"	40mm

Digitronic Tube Type Caliper 110 Series

Features

Standard: Factory Standard

- Top quality digital caliper
- Features special jaw for measuring wall thickness of tubes
- Modern design
- Large 7.5mm character height digital display
- Long life guaranteed
- Ground micro-lapped measuring surfaces
- Standard with roller button for easy controlled operation
- Functions: mm/inch conversion, on/off, data-output, zero-setting, battery low indication



DIGITRONIC TUBE TYPE CALIPER

Code No	Range	Resolution	Length of jaws (A)
MW110-15DTT	0-150mm/0-6"	0.01mm / 0.0005"	40mm

Digitronic Brake Disc Caliper 110 Series

Features

Standard: Factory Standard

- Top quality digital caliper
- Features special jaw for measuring thickness of brake discs
- Modern design
- Large 7.5mm character height digital display
- Long life guaranteed
- Ground micro-lapped measuring surfaces
- Standard with roller button for easy controlled operation
- Functions: mm/inch conversion, on/off, data-output, zero-setting, battery low indication



DIGITRONIC BRAKE DISC CALIPER

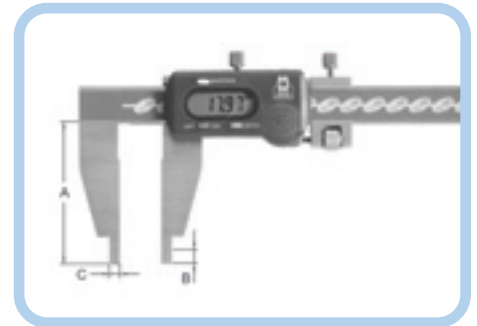
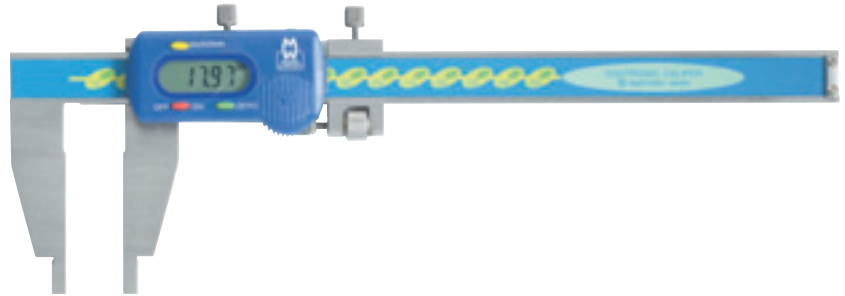
Code No	Range	Resolution	Length of jaws (A)
MW110-15DBD	0-150mm/0-6"	0.01mm/0.0005"	93mm

Digitronic Long Jaw Caliper 110 Series

Features

Standard: Factory Standard

- Top quality digital caliper
- Equipped with long jaws
- Modern design
- Large 7.5mm character height digital display
- Long life guaranteed
- Ground micro-lapped measuring surfaces
- Standard with roller button for easy controlled operation
- Functions: mm/inch conversion, on/off, data-output, zero-setting, battery low indication



DIGITRONIC LONG JAW CALIPER

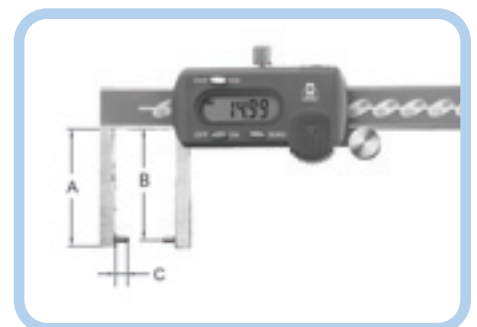
Code No	Range	Resolution	Length of jaws (A)
MW110-15DLJ	0-150mm/ 0-6"	0.01mm / 0.0005"	60mm

Digitronic Caliper for External Grooves 120 Series

Features

Standard: Factory Standard

- Top quality digital caliper
- Features standard jaws for measuring of external grooves
- Modern design
- Large 7.5mm character height digital display
- Long life guaranteed
- Ground micro-lapped measuring surfaces
- Standard with roller button for easy controlled operation
- Functions: mm/inch conversion, on/off, data-output, zero-setting, battery low indication



DIGITRONIC CALIPER FOR EXTERNAL GROOVES

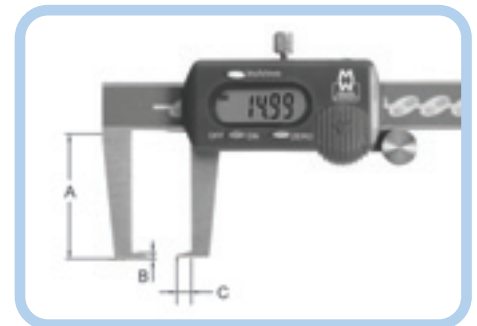
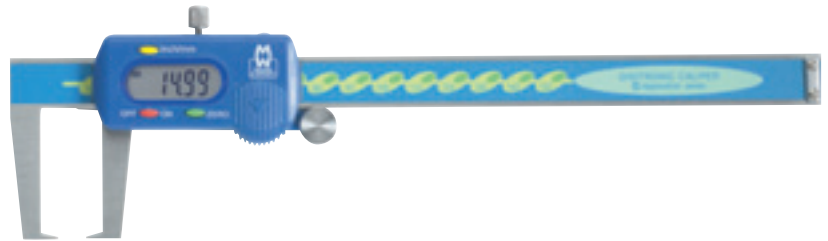
Code No	Range	Resolution
MW120-15DB	0-150mm/0-6"	0.01mm/0.0005"

Digitronic Caliper For External Grooves 120 Series

Features

Standard: Factory Standard

- Top quality digital caliper
- Features knife style jaws for measuring of external grooves
- Modern design
- Large 7.5mm character height digital display
- Long life guaranteed
- Ground micro-lapped measuring surfaces
- Standard with roller button for easy controlled operation
- Functions: mm/inch conversion, on/off, data-output, zero-setting, battery low indication



DIGITRONIC CALIPER FOR EXTERNAL GROOVES

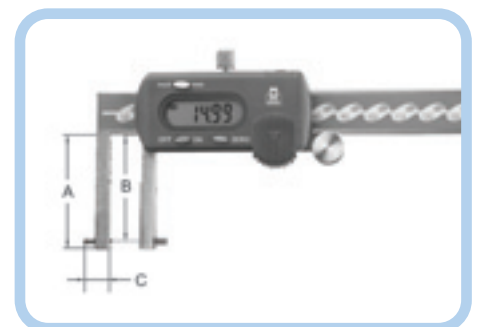
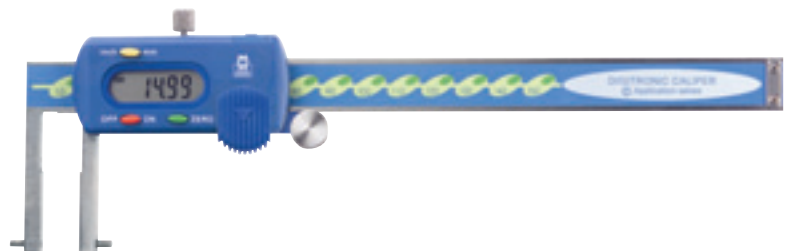
Code No	Range	Resolution
MW120-15DC	0-150mm / 0-6"	0.01mm / 0.0005"

Digitronic Caliper For Internal Grooves 125 Series

Features

Standard: Factory Standard

- Top quality digital caliper
- Features round jaws for measuring of internal grooves
- Modern design
- Large 7.5mm character height digital display
- Long life guaranteed
- Ground micro-lapped measuring surfaces
- Standard with roller button for easy controlled operation
- Functions: mm/inch conversion, on/off, data-output, zero-setting, battery low indication



DIGITRONIC CALIPER FOR INTERNAL GROOVES

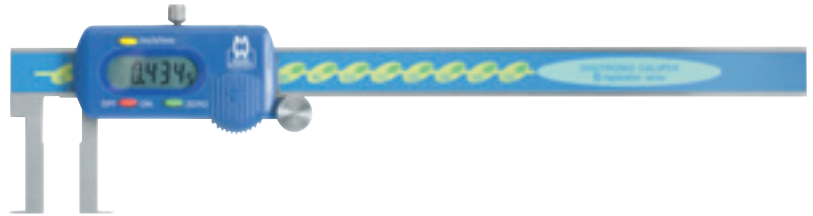
Code No	Range	Resolution
MW125-15DB	0-150mm / 0-6"	0.01mm / 0.0005"

Digitronic Caliper for Internal Grooves 125 Series

Features

Standard: Factory Standard

- Top quality digital caliper
- Features universal jaws for measuring grooves
- Modern design
- Large 7.5mm character height digital display
- Long life guaranteed
- Ground micro-lapped measuring surfaces
- Standard with roller button for easy controlled operation
- Functions: mm/inch conversion, on/off, data-output, zero-setting, battery low indication



DIGITRONIC CALIPER FOR INTERNAL GROOVES

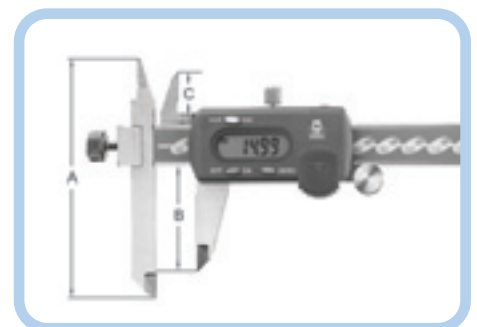
Code No	Range	Resolution
MW125-15DC	0-150mm / 0-6"	0.01mm / 0.0005"

Digitronic Caliper with Adjustable Jaw 141 Series

Features

Standard: Factory Standard

- Top quality digital caliper
- Features adjustable jaw for measurement of stepped sections
- Modern design
- Large 7.5mm character height digital display
- Long life guaranteed
- Ground micro-lapped measuring surfaces
- Standard with roller button for easy controlled operation
- Functions: mm/inch conversion, on/off, data-output, zero-setting, battery low indication



DIGITRONIC CALIPER WITH ADJUSTABLE JAW

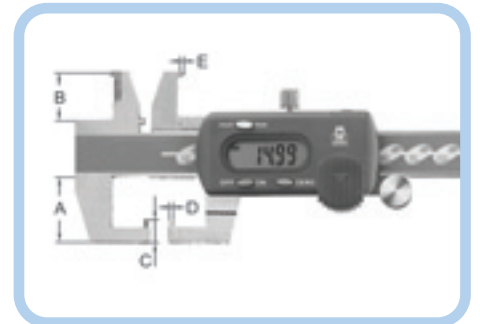
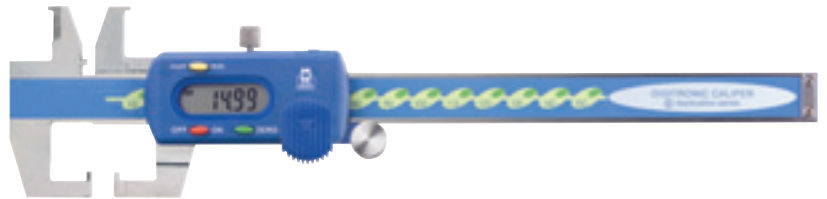
Code No	Range	Resolution
MW141-15D	0-150mm / 0-6"	0.01mm / 0.0005"
MW141-20D	0-200mm / 0-8"	0.01mm / 0.0005"
MW141-30D	0-300mm / 0-12"	0.01mm / 0.0005"

Digitronic Universal Groove Caliper 142 Series

Features

Standard: Factory Standard

- Top quality digital caliper
- Features universal jaws for measuring grooves
- Modern design
- Large 7.5mm character height digital display
- Long life guaranteed
- Ground micro-lapped measuring surfaces
- Standard with roller button for easy controlled operation
- Functions: mm/inch conversion, on/off, data-output, zero-setting, battery low indication



DIGITRONIC UNIVERSAL CALIPER

Code No	Range	Resolution
MW142-15D	0-150mm / 0-6"	0.01mm / 0.0005"

Digitronic Small Groove Caliper 143 Series

Features

Standard: Factory Standard

- Top quality digital caliper
- Features small extreme pointed jaws for measuring small grooves
- Modern design
- Large 7.5mm character height digital display
- Long life guaranteed
- Ground micro-lapped measuring surfaces
- Standard with roller button for easy controlled operation
- Functions: mm/inch conversion, on/off, data-output, zero-setting, battery low indication



DIGITRONIC SMALL GROOVE CALIPER

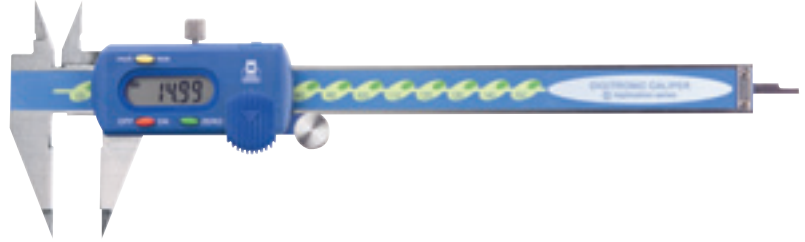
Code No	Range	Resolution
MW143-15D	0-150mm/0-6"	0.01mm/0.0005"

Digitronic Pointed Jaw Caliper 144 Series

Features

Standard: Factory Standard

- Top quality digital caliper
- Features standard length pointed jaws
- Modern design
- Large 7.5mm character height digital display
- Long life guaranteed
- Ground micro-lapped measuring surfaces
- Standard with roller button for easy controlled operation
- Functions: mm/inch conversion, on/off, data-output, zero-setting, battery low indication



DIGITRONIC POINTED JAW CALIPER

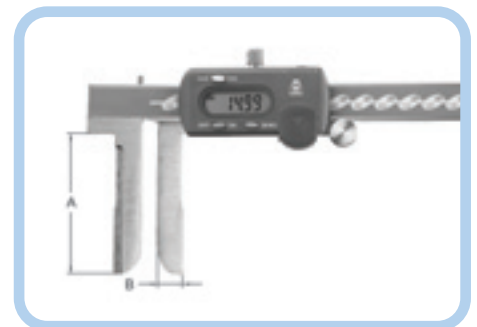
Code No	Range	Resolution
MW144-15D	0-150mm / 0-6"	0.01mm / 0.0005"

Digitronic Caliper with Knife Edge Jaw 145 Series

Features

Standard: Factory Standard

- Top quality digital caliper
- Features long knife shape jaws for hard to reach places
- Modern design
- Large 7.5mm character height digital display
- Long life guaranteed
- Ground micro-lapped measuring surfaces
- Standard with roller button for easy controlled operation
- Functions: mm/inch conversion, on/off, data-output, zero-setting, battery low indication



DIGITRONIC CALIPER WITH KNIFE EDGE JAW

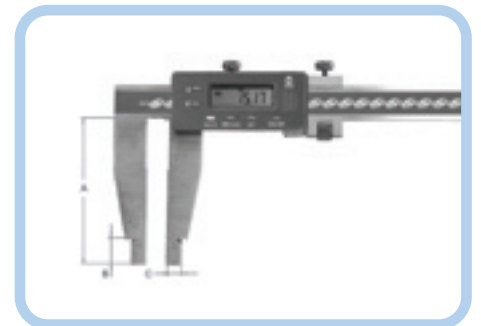
Code No	Range	Resolution	Length of jaws (A)
MW145-15D	0-150mm / 0-6"	0.01mm / 0.0005"	52mm
MW145-30D	0-300mm / 0-12"	0.01mm / 0.0005"	98mm
MW145-50D	0-500mm / 0-20"	0.01mm / 0.0005"	124mm

Large Digitronic Workshop Caliper 150 Series

Features

Standard: Factory Standard

- Top quality digital caliper
- Modern design
- Large 7.5mm/10mm character height digital display
- Long life guaranteed
- Ground micro-lapped measuring surfaces
- Functions: mm/inch conversion, on/off, data-output, zero-setting, ABS/zero, battery low indication
- With fine adjustment



LARGE DIGITRONIC WORKSHOP CALIPER

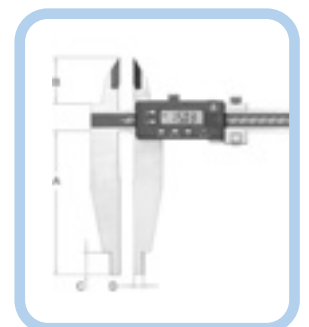
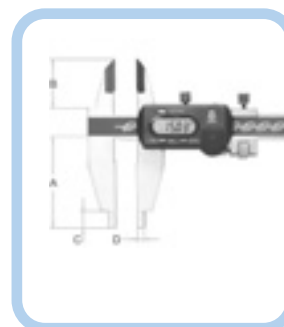
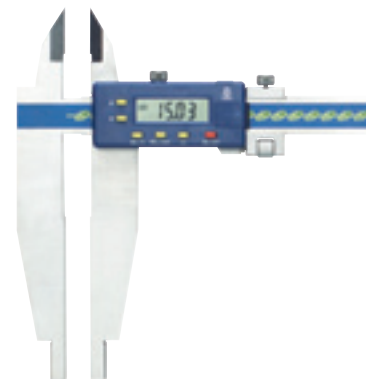
Code No	Range	Resolution	Length of jaws (A)
MW150-50DDL	0-500mm / 0-20"	0.01mm / 0.0005"	100mm
MW150-75DDL	0-1000mm / 0-40"	0.01mm / 0.0005"	125mm
MW150-85DDL	0-1500mm / 0-60"	0.01mm / 0.0005"	125mm
MW150-95DDL	0-2000mm / 0-80"	0.01mm / 0.0005"	180mm

Digitronic Nib Type Workshop Caliper 160 Series

Features

Standard: Factory Standard

- Top quality digital caliper
- Features nib type and standard jaws
- Modern design
- Large 7.5mm character height digital display
- Long life guaranteed
- Ground micro-lapped measuring surfaces
- Standard with roller button for easy controlled operation
- Functions: mm/inch conversion, on/off, data-output, zero-setting, battery low indication
- With fine adjustment



DIGITRONIC NIB TYPE WORKSHOP CALIPER 160

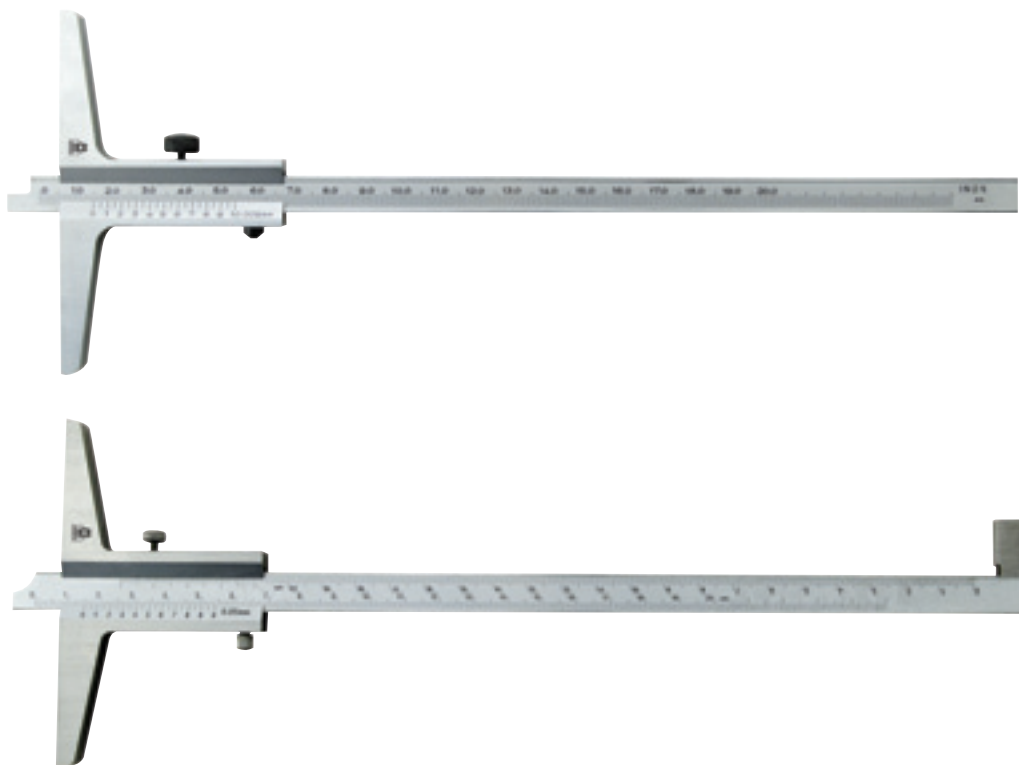
Code No	Range	Resolution	Length of jaws (A)
MW160-20D	0-200mm / 0-8"	0.01mm / 0.0005"	60mm
MW160-30D	0-300mm / 0-12"	0.01mm / 0.0005"	60mm
MW160-50D	0-500mm / 0-20"	0.01mm / 0.0005"	150mm

Vernier Depth Gauge 170 Series

Features

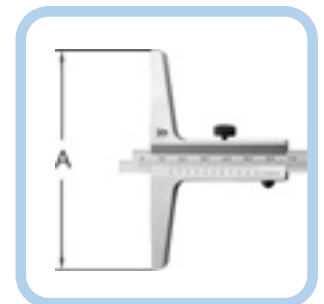
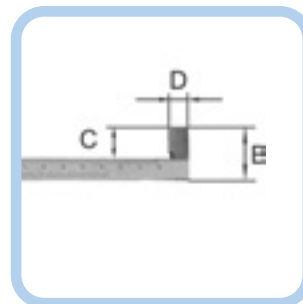
Standard: Factory Standard

- Standard workshop model made of alloyed stainless steel
- Available with hook (H) or without hook (B)
- Screw stop solid slider model
- With laser engraved graduations
- The scale shows mm value
- Measuring surface is micro-lapped



VERNIER DEPTH GAUGE

Code No	Range	Resolution	Length of base (A)
MW170-15	0-150mm	0.02mm - 0.001"	100mm
MW170-15B	0-150mm	0.05mm - 1/128"	100mm
MW170-15H	0-150mm	0.02mm - hook	100mm
MW170-15HI	0-6"	0.001" - hook	100mm
MW170-20	0-200mm	0.02mm - 0.001"	100mm
MW170-20B	0-200mm	0.05mm - 1/128"	100mm
MW170-20H	0-200mm	0.02mm - hook	100mm
MW170-20HI	0-8"	0.001" - hook	100mm
MW170-30	0-300mm	0.02mm - 0.001"	100mm
MW170-30B	0-300mm	0.05mm - 1/128"	100mm
MW170-30H	0-300mm	0.02mm - hook	100mm
MW170-30HI	0-12"	0.001" - hook	100mm
MW170-50B	0-500mm	0.05mm - 1/128"	150mm
MW170-50BI	0-500mm	0.02mm - 0.001"	150mm
MW170-70B	0-750mm	0.05mm - 1/128"	150mm
MW170-70BI	0-750mm	0.02mm - 0.001"	150mm
MW170-75B	0-1000mm	0.05mm - 1/128"	150mm
MW170-75BI	0-1000mm	0.02mm - 0.001"	150mm



Digitronic Depth Caliper 170 Series

Features

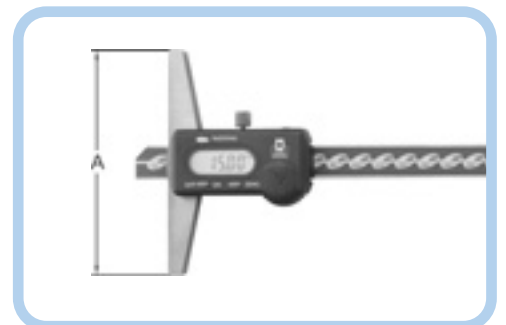
Standard: Factory Standard

- Top quality digital depth caliper
- Available with hook (H) or without hook (B)
- Modern design
- Large 7.5mm character height digital display
- Long life guaranteed
- Ground micro-lapped measuring surfaces
- Functions: mm/inch conversion, on/off, data-output, zero-setting, battery low indication



DIGITRONIC DEPTH CALIPER

Code No	Range	Resolution	Length of jaws (A)
MW170-15DB	0-150mm / 0-6"	0.01mm / 0.0005"	100mm
MW170-15DH	0-150mm / 0-6"	0.01mm / 0.0005"	100mm
MW170-20DB	0-200mm / 0-8"	0.01mm / 0.0005"	100mm
MW170-20DH	0-200mm / 0-8"	0.01mm / 0.0005"	100mm
MW170-30DB	0-300mm / 0-12"	0.01mm / 0.0005"	100mm
MW170-30DH	0-300mm / 0-12"	0.01mm / 0.0005"	100mm



Mechanical Depth Gauge 172 Series

Features:

- 0-25mm travel indicator
- Satin chrome finish
- Rods connect together for full 550mm capacity
- Base size: 100mm
- Includes 2 extra points for small hole applications



MECHANICAL DEPTH GAUGE 172 SERIES

Code No	Capacity	Resolution
MW172-01	0-550mm	0.01mm

Digitronic Depth Gauge 172 Series

Features:

- 0-25mm/0-1" travel indicator
- Inch/mm conversion
- Zero setting at any position
- Rods connect together for full 550mm capacity
- Base size: 100mm
- Includes 2 extra points for small hole applications



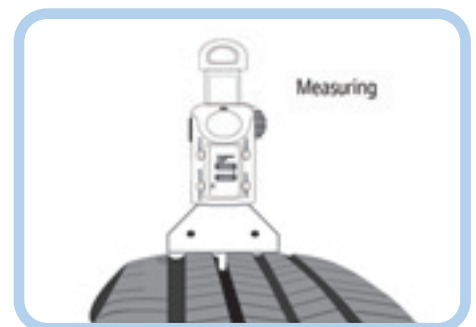
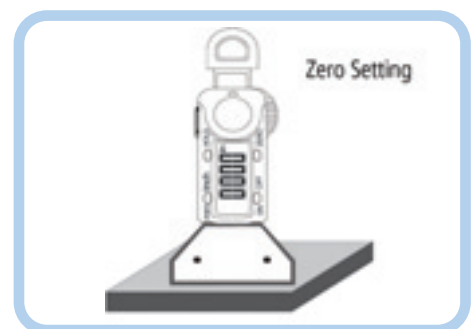
DIGITRONIC DEPTH GAUGE 172 SERIES

Code No	Capacity	Resolution
MW172-01D	0-550mm/0-22"	0.01mm/0.0005"

Digitronic Tyre Profile Gauge 176 Series

Features

- Spring loaded with a hold measurement button for ease of use
- Large LCD display
- Supplied on retail packaging
- Vinyl holder supplied as standard



DIGITRONIC TYRE PROFILE GAUGE

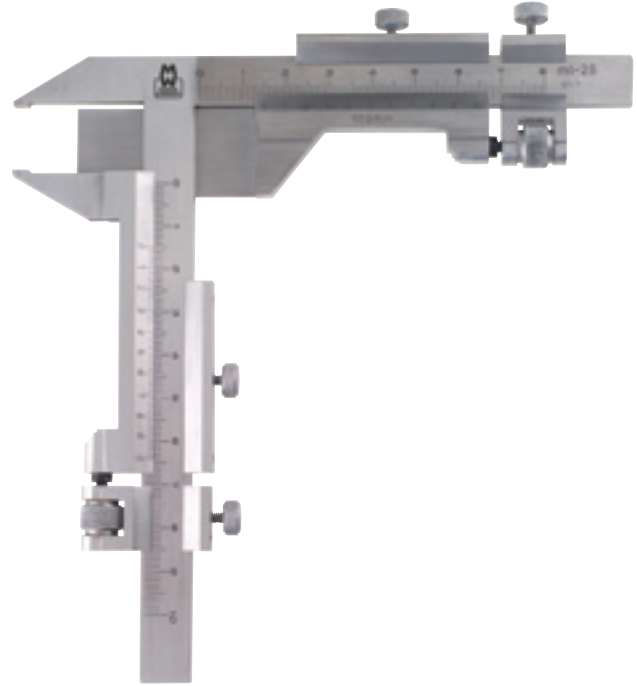
Code No	Range	Resolution
MW176-01DTG	0-25mm/0-1"	0.01mm/0.0005"

Precision Gear Modul Caliper 180 Series

Features

Standard: Factory Standard

- Special vernier caliper for measuring gear modul
- Made of alloyed stainless steel
- With tungsten carbide measuring surfaces
- Chromed scale with engraved mm graduations
- Fine adjustment in both axes
- Packed in wooden case



PRECISION GEAR MODUL CALIPER

Code No	Range
MW180-01	Modul 1 to 26

Precision Welding Vernier Caliper 182 Series

Features

Standard: Factory standard

Digital

- Modern design
- Large 7.5mm character height digital display
- Long life guaranteed
- Functions: mm/inch conversion, on/off, data-output, zero-setting, battery low indication

Analogue

- Simple workshop model with stop screw
- Made of hardened stainless steel
- Engraved mm or inch scale



PRECISION WELDING VERNIER CALIPER

Code No.	Range	Scale	Resolution
Digital			
MW182-01D	60°, 70°, 80° and 90°	mm/inch	0.01mm / 0.0005"
Analogue			
MW182-01	60°, 70°, 80° and 90°	mm	0.01mm

Digitronic Vertical Length Measuring Scale

Features

- Standard: Factory Standard
- Digital length measuring system based on our DIGITRONIC technology
- Large field of application
- Modern design
- Large 7.5mm character height digital display
- Long life guaranteed
- Functions: mm/inch conversion, on/off, data-output, zero-setting, battery low indication
- Mounting material included



DIGITRONIC VERTICAL LENGTH MEASURING SCALE

Code No	Range	Resolution
MWDSV-010D	0-100mm / 0-4"	0.01mm / 0.0005"
MWDSV-020D	0-200mm / 0-8"	0.01mm / 0.0005"
MWDSV-030D	0-300mm / 0-12"	0.01mm / 0.0005"
MWDSV-050D	0-500mm / 0-20"	0.01mm / 0.0005"
MWDSV-060D	0-600mm / 0-24"	0.01mm / 0.0005"
MWDSV-080D	0-800mm / 0-32"	0.01mm / 0.0005"
MWDSV-100D	0-1000mm / 0-40"	0.01mm / 0.0005"

Digitronic Horizontal Length Measuring Scale

Features

- Standard: Factory Standard
- Digital length measuring system based on our DIGITRONIC technology
- Large field of application
- Modern design
- Large 7.5mm character height digital display
- Long life guaranteed
- Functions: mm/inch conversion, on/off, data-output, zero-setting, battery low indication
- Mounting material included



DIGITRONIC HORIZONTAL LENGTH MEASURING SCALE

Code No	Range	Resolution
MWDSH-010D	0-100mm / 0-4"	0.01mm / 0.0005"
MWDSH-020D	0-200mm / 0-8"	0.01mm / 0.0005"
MWDSH-030D	0-300mm / 0-12"	0.01mm / 0.0005"
MWDSH-050D	0-500mm / 0-20"	0.01mm / 0.0005"
MWDSH-060D	0-600mm / 0-24"	0.01mm / 0.0005"
MWDSH-080D	0-800mm / 0-32"	0.01mm / 0.0005"
MWDSH-100D	0-1000mm / 0-40"	0.01mm / 0.0005"

Vernier Height Gauge 190 Series

Features

Standard: Factory Standard

- Zero reference point can be adjusted for calibration
- Beam and slide made of hardened stainless steel
- Measuring faces are micro-lapped for high accuracy
- Chrome plated scale
- Super solid heavy base for greater stability and rigidity
- Carbide tipped scriber



VERNIER HEIGHT GAUGE

Code No	Range	Resolution	Base
MW190-20*	0-200mm	0.02mm	110x65mm
MW190-30	0-300mm	0.02mm	125x85mm
MW190-50	0-500mm	0.02mm	170x110mm
MW190-60	0-600mm	0.02mm	180x120mm
MW190-75	0-1000mm	0.02mm	250x150mm

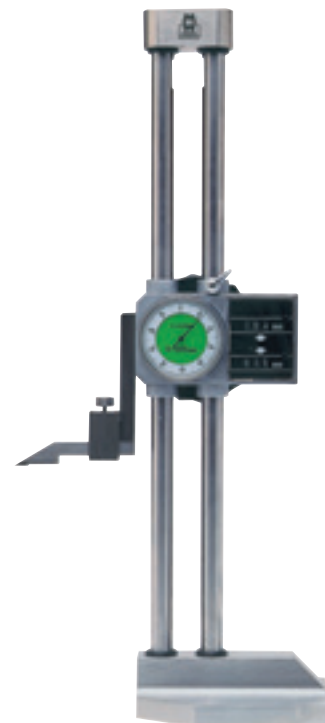
* 190-20, not adjustable, without magnifier glass

Double Column Height Gauge 195 Series

Features

Standard: Factory Standard

- Double column indicator height gauges
- Features dual directional digital counters and a dial indicator for fast and error free measurements
- Provided with a hand feed wheel for easy up and down feeding
- The digital counters can be set to zero at any position
- The double column combines high stability with absolute accuracy
- With carbide tipped scriber
- The resolution 0.01mm
- The counter reads steps of 1mm



DOUBLE COLUMN HEIGHT GAUGE

Code No	Range	Resolution	Base
MW195-30	0-300mm	0.01mm	125x85mm
MW195-50	0-600mm	0.01mm	180x120mm

Digitronic Height Gauge 190 Series

Features

Standard: Factory Standard

- Features easy to read digital display
- Modern design
- 'Soft keys' for maximum operating comfort
- Ground micro-lapped measuring surfaces
- Functions: mm/inch conversion, on/off, data-output, zero-setting, max, min, hold, battery low indication
- Fine adjustment for high precision measurement



DIGITRONIC HEIGHT GAUGE

Code No	Range	Resolution	Base
MW190-20DBL	0-200mm / 0-8"	0.01mm / 0.0005"	110x65mm
MW190-30DBL	0-300mm / 0-12"	0.01mm / 0.0005"	125x85mm
MW190-50DBL	0-500mm / 0-20"	0.01mm / 0.0005"	150x110mm
MW190-60DBL	0-600mm / 0-24"	0.01mm / 0.0005"	150x110mm
MWY-100/02	Data cable		
MWY-100/08	Interface		
MWY-100/12	Software		

Digitronic Height Gauge 191 Series

Features

- Heavy duty beam
- Handwheel for ease of use
- ABS/INC measurement
- Large LCD display
- Inch/mm conversion
- Positive lock carbide scriber
- Supplied in moulded case



DIGITRONIC HEIGHT GAUGE 191 SERIES

Code No	Capacity	Resolution	Accuracy
MW191-30DAB	0-300mm/0-12"	0.01mm/0.0005"	+/-0.04mm/0.0015"
MW191-60DAB	0-600mm/0-24"	0.01mm/0.0005"	+/-0.05mm/0.002"

Digitronic Double Column Height Gauge 195 Series

Features

Standard: Factory Standard

- Double column indicator height gauge
- Provided with a hand feed wheel for easy up and down feeding
- The double column combines high stability with absolute accuracy
- With carbide tipped scriber
- Features large 7.5mm height, digital display
- Solid design
- 'Soft keys' for maximum operating comfort
- Ground micro-lapped measuring surfaces
- Functions: mm/inch conversion, on/off, data-output, zero-setting, max, min, battery low indication
- Fine adjustable for high precision measurement



DIGITRONIC DOUBLE COLUMN HEIGHT GAUGE

Code No	Range	Resolution	Base
MW195-30DDL	0-300mm/ 0-12"	0.01mm / 0.0005"	125x85mm
MW195-60DDL	0-600mm/ 0-24"	0.01mm / 0.0005"	180x120mm

Digitronic Height Gauge 196 Series

Features

- Heavy duty square twin beams
- Handwheel for ease of use
- ABS/INC measurement
- Large LCD display
- Inch/mm conversion
- Positive lock carbide scriber
- Includes indicator holding bar
- Supplied in moulded case



DIGITRONIC HEIGHT GAUGE

Code No	Capacity	Resolution	Accuracy
MW196-30DAB	0-300mm/0-12"	0.01mm/0.0005"	+/-0.04mm/0.0015"
MW196-60DAB	0-600mm/0-24"	0.01mm/0.0005"	+/-0.05mm/0.002"

Traditional Outside Micrometer 1961 and 1965 Series

Features

Standard: BS870, DIN 863/1, ISO361

All models feature

- Tungsten carbide measuring faces
- 6.8mm spindle diameter
- 'Speeder' type ratchet
- Locking lever
- Choice of standard or vernier type sleeve
- Tapered bow frame
- Supplied in plastic pocket case
- Adjusting key

MW1961 Series features

- Capacity of 0-25mm / 0 -1"
- Pearl chrome plated frame with insulation pads

MW1965 Series features

- Capacity from 0-25mm / 0-1"
- Blue textured frame finish



MW1961MB



MW1965M

ACCURACY

Micrometer Capacity Max Size up to	Measuring Faces		Screw Pitch Accuracy
	Flatness	Parallelism	
25mm	0.001mm	0.003mm	0.003mm
1"	0.00005"	0.0001"	0.0001"

MECHANICAL OUTSIDE MICROMETER - IMPERIAL: 0-1"

Capacity	0.001" Carbide anvils	0.0001" Carbide anvils
0 - 1"	MW1961	MW1961B
0 - 1"	MW1965	MW1965B

MECHANICAL OUTSIDE MICROMETER - METRIC: 0-25MM

Capacity	0.01mm Carbide anvils	0.002mm Carbide anvils
0 - 25mm	MW1961M	MW1961MB
0 - 25mm	MW1965M	MW1965MB

Traditional Outside Micrometer, Mechanical 1966 Series

Features

Standards: BS870, DIN 863/1, ISO361

- Capacity from 25mm -150mm
- Tungsten carbide measuring faces
- 6.8mm spindle diameter
- 'Speeder' type ratchet
- Locking lever
- Choice of standard or vernier type sleeve
- Adjusting key
- Supplied complete with durable plastic case



MECHANICAL OUTSIDE MICROMETERS - IMPERIAL: 1 - 6"

Capacity	0.001" Carbide anvils	0.0001" Carbide anvils
1 - 2"	MW1966-2	MW1966B-2
2 - 3"	MW1966-3	MW1966B-3
3 - 4"	MW1966-4	MW1966B-4
4 - 5"	MW1966-5	MW1966B-5
5 - 6"	MW1966-6	MW1966B-6

MECHANICAL OUTSIDE MICROMETERS - METRIC: 25 - 150MM

Capacity	0.01mm Carbide anvils	0.002mm Carbide anvils
25 - 50mm	MW1966M50	MW1966MB50
50 - 75mm	MW1966M75	MW1966MB75
75 - 100mm	MW1966M100	MW1966MB100
100 - 125mm	MW1966M125	MW1966MB125
125 - 150mm	MW1966M150	MW1966MB150

ACCURACY

Micrometer Capacity Max Size up to	Measuring Faces		Screw Pitch Accuracy
	Flatness	Parallelism	
50mm	0.001mm	0.003mm	0.003mm
150mm	0.001mm	0.005mm	0.003mm

Micrometer Ball Attachment 878 Series

Features

- Ball diameter 6.5mm
- To suit the 1961, 1965 and 1966 series micrometers
- Can be fitted to the anvil or spindle on external micrometer series 1961, 1965 and 1966 to enable round or irregular surfaces to be measured
- The ball is hardened and moves freely to allow contact with the object being measured

Note: Always deduct the ball diameter from any reading.



MICROMETER BALL ATTACHMENTS

Code No

MW878M

Micrometer Setting Gauge

Features

Standard: BS870

- Marked with nominal size METRIC
- Up to 75mm Nominal 6.4mm diameter
- Up to 175mm Nominal 8.0mm diameter
- 50mm upwards are setting rods
- 25mm is a setting disc
- Up to 275mm Nominal 9.5mm diameter
- Hardened and lapped steel measuring faces with spherical ends
- Up to 375mm Nominal 11.1mm diameter
- Fitted insulation sleeves
- Over 375mm Nominal 12.5mm diameter

Note: Micrometer setting gauges available

TOLERANCES up to 1775mm. Contact customer services for more details.
 Sizes over 300mm made to order



MICROMETER SETTING GAUGE

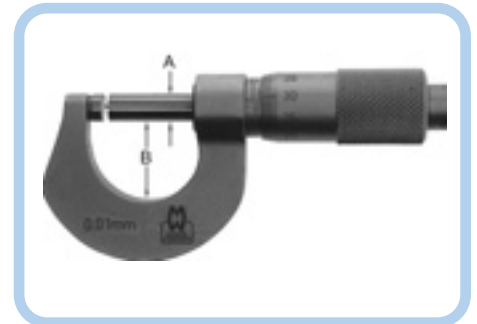
Code No	Length	Tol + mm	Code no.	Length	Tol + mm	Code No.	Length	Tol + mm	Code	Length	Tol+mm
MW980M25	25mm	.001	MW980M250	250mm	.004	MW980M475	475mm	.006	MW980M700	700mm	.015
MW980M50	50mm	.002	MW980M275	275mm	.004	MW980M500	500mm	.006	MW980M725	725mm	.015
MW980M75	75mm	.002	MW980M300	300mm	.005	MW980M525	525mm	.006	MW980M750	750mm	.015
MW980M100	100mm	.002	MW980M325	325mm	.005	MW980M550	550mm	.006			
MW980M125	125mm	.002	MW980M350	350mm	.005	MW980M575	575mm	.006			
MW980M150	150mm	.003	MW980M375	375mm	.005	MW980M600	600mm	.015			
MW980M175	175mm	.003	MW980M400	400mm	.005	MW980M625	625mm	.015			
MW980M200	200mm	.003	MW980M425	425mm	.005	MW980M650	650mm	.015			
MW980M225	225mm	.004	MW980M450	450mm	.006	MW980M675	675mm	.015			

Outside Micrometer 200 Series

Features

Standard: Factory Standard

- Small universal micrometer
- Resolution 0.01mm
- Satin-chrome scale
- Frame without standard insulated grip
- Tapered for easier access to difficult areas
- Packed in plastic box with standard and adjusting key



OUTSIDE MICROMETER 200 SERIES

Code No	Range	Resolution
MW200-00	0-15mm	0.01mm

Low Cost Outside Micrometer 200 Series

Features

Standard: DIN 863

- Standard workshop model
- Resolution 0.01mm
- Satin-chrome scale
- Painted frame with standard insulated grip
- Tapered for easier access to difficult areas
- With tungsten carbide measuring face and constant force ratchet
- Packed in plastic box with standard and adjusting key



LOW COST OUTSIDE MICROMETER

Code No	Range	Resolution
MW200-01BL	0-25mm	0.01mm
MW200-02BL	25-50mm	0.01mm
MW200-03BL	50-75mm	0.01mm
MW200-04BL	75-100mm	0.01mm

Outside Micrometer 200 Series

Features

Standard: DIN 863

- High quality outside micrometer
- Design Line product
- Satin-chrome scale
- Hammertone finished frame with high quality insulated grip
- Tapered for easier access to difficult areas
- With tungsten carbide measuring faces and constant force ratchet
- Packed in plastic box with standard and adjusting key



OUTSIDE MICROMETER METRIC

Code No	Range	Resolution
MW200-01	0-25mm	0.01mm
MW200-02	25-50mm	0.01mm
MW200-03	50-75mm	0.01mm
MW200-04	75-100mm	0.01mm

OUTSIDE MICROMETER IMPERIAL

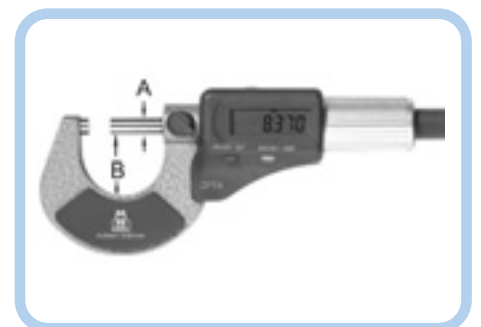
Code No	Range	Resolution
MW200-01I	0-1"	0.0001"
MW200-02I	1-2"	0.0001"
MW200-03I	2-3"	0.0001"
MW200-04I	3-4"	0.0001"

Digitronic Micrometer 200 Series

Features

Standard: DIN 863

- Digital outside micrometer with 'easy read' large 7.5mm character height, digital display
- Tapered for easier access to difficult areas
- Modern design
- Hammertone finished frame with high quality insulated grip
- 'Soft keys' for maximum operating comfort
- Long life guaranteed
- With tungsten carbide measuring faces and constant force ratchet on thimble
- Functions: mm/inch conversion, tolerance indication, ABS/INC, preset, on/off, zero-setting, data-output, battery low indication
- Packed in plastic box with standard and adjusting key



DIGITRONIC MICROMETER WITH FUNCTIONS

Code No	Range	Resolution
MW200-01DDL	0-25mm/ 0-1"	0.001mm/ 0.00005"
MW200-02DDL	25-50mm/ 1-2"	0.001mm/ 0.00005"
MW200-03DDL	50-75mm/ 2-3"	0.001mm/ 0.00005"
MW200-04DDL	75-100mm/ 3-4"	0.001mm/ 0.00005"
MWY-200/10	Data cable	
MWY-200/25	Software for MWY-200/10	

Double Display Micrometer 200 Series

Features

Standard: DIN 863

- Special model with double display to be used in all positions
- Tapered for easier access to difficult areas
- Modern design
- Hammertone finished frame with high quality insulated grip
- 'Soft keys' for maximum operating comfort
- Long life guaranteed
- With tungsten carbide measuring faces and constant force ratchet on thimble
- Functions: mm/inch conversion, tolerance indication, ABS/INC, preset, on/off, zero-setting, data-output, battery low indication
- Packed in plastic box with standard and adjusting key
- Left handed or right handed



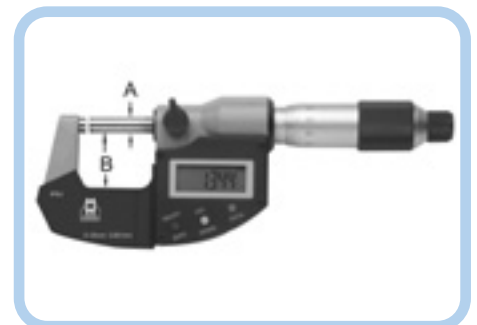
DOUBLE DISPLAY MICROMETER

Code No	Range	Resolution
MW200-01DDP	0-30mm / 0-1.2"	0.001mm / 0.00005"
MW200-02DDP	20-50mm / 0-2.4"	0.001mm / 0.00005"
MWY-200/05	Data cable	
MWY-200/20	Software for MWY-200/05	

Digitronic Outside Micrometer 201 Series

Features

- Protected to IP54 specifications
- Rugged steel design
- Large LCD display
- Absolute and Incremental modes
- Carbide measuring faces
- Ball attachment included



DIGITRONIC OUTSIDE MICROMETER

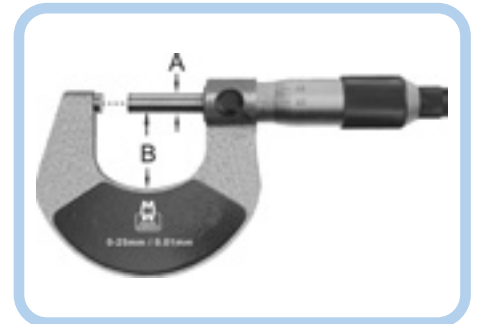
Code No	Range	Resolution
MW201-01DAB	0 - 25mm / 0 - 1"	0.001mm / 0.00005"
MW201-02DAB	25 - 50mm / 1 - 2"	0.001mm / 0.00005"
MW201-03DAB	50 - 75mm / 2 - 3"	0.001mm / 0.00005"
MW201-04DAB	75-100mm / 3 - 4"	0.001mm / 0.00005"

Outside Micrometer with Friction Thimble 202 Series

Features

Standard: DIN 863

- High quality Digitronic micrometer with special measuring jaws for hard to reach places
- Design Line product
- Resolution 0.01mm
- Non rotating spindle
- Satin-chrome scale
- Hammertone finished frame with high quality insulated grip
- Tapered for easier access to difficult areas
- With tungsten carbide measuring faces and constant force ratchet
- Packed in plastic box with standard and adjusting key



OUTSIDE MICROMETER WITH FRICTION THIMBLE

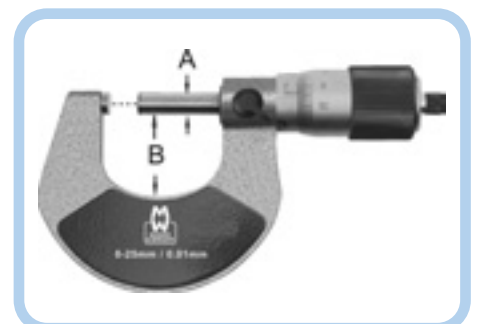
Code No	Range	Resolution
MW202-01	0-25mm	0.01mm
MW202-02	25-50mm	0.01mm
MW202-03	50-75mm	0.01mm
MW202-04	75-100mm	0.01mm

Quick Setting (100 Steps) Outside Micrometer 203 Series

Features

Standard: DIN 863

- High quality outside micrometer with 1mm spindle thread for quick movement of measuring face
- Design Line product
- Resolution 0.01mm
- Satin-chrome scale
- Hammertone finished frame with high quality insulated grip
- Tapered for easier access to difficult areas
- With tungsten carbide measuring faces and ratchet friction thimble
- Packed in plastic box with standard and adjusting key



QUICK SETTING (100 STEPS) OUTSIDE MICROMETER

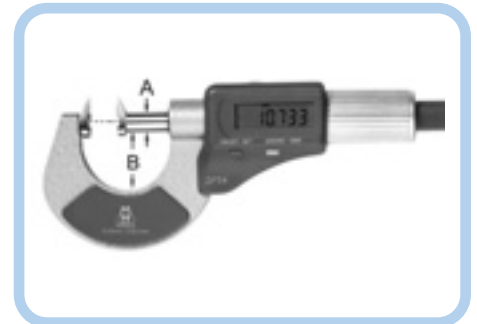
Code No	Range	Resolution
MW203-01	0-25mm	0.01mm

Digitronic Micrometer with Jaws 206 Series

Features

Standard: DIN 863

- High quality outside micrometer with special measuring jaws for hard to reach places, non rotating spindle
- Large 7.5mm character height digital display
- Design Line product
- Hammertone finished frame with high quality insulated grip
- Tapered for easier access to difficult areas
- Ratchet friction thimble
- 'Soft keys' for maximum operating comfort
- Long life guaranteed
- Functions: mm/inch conversion, tolerance indication, ABS/INC, preset, on/off, zero-setting, data-output, battery low indication
- Packed in plastic box with standard and adjusting key



DIGITRONIC MICROMETER WITH JAWS

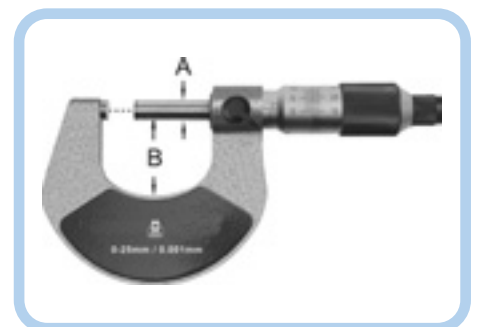
Code No	Range	Resolution
MW206-01DDL	0-25mm / 0-1"	0.001mm / 0.00005"
MW206-02DDL	25-50mm / 1-2"	0.001mm / 0.00005"

Parallax Free Outside Micrometer 204 Series

Features

Standard: DIN 863

- High quality outside micrometer
- Features non-rotating spindle and parallax free reading
- Design Line product
- Resolution 0.001mm
- Non rotating friction thimble
- Satin-chrome scale
- Hammertone finished frame with high quality insulated grip
- Tapered for easier access to difficult areas
- With tungsten carbide measuring faces and constant force ratchet
- Packed in plastic box with standard and adjusting key



PARALLAX FREE OUTSIDE MICROMETER 204 SERIES

Code No	Range	Resolution
MW204-01	0-25mm	0.001mm
MW204-02	25-50mm	0.001mm
MW204-03	50-75mm	0.001mm
MW204-04	75-100mm	0.001mm

Traditional Outside Micrometers 1971 Series

OUTSIDE MICROMETER

Capacity	0.01mm / 0.001" Carbide anvils	0.002mm / 0.0001" Carbide anvils
150 - 175mm	MW1971M175	MW1971MB175
6 - 7"	MW1971-7	MW1971B-7
175 - 200mm	MW1971M200	MW1971MB200
7 - 8"	MW1971-8	MW1971B-8
200 - 225mm	MW1971M225	MW1971MB225
8 - 9"	MW1971-9	MW1971B-9
225 - 250mm	MW1971M250	MW1971MB250
9 - 10"	MW1971-10	MW1971B-10
250 - 275mm	MW1971M275	MW1971MB275
10 - 11"	MW1971-11	MW1971B-11
275 - 300mm	MW1971M300	MW1971MB300
11 - 12"	MW1971-12	MW1971B-12
300 - 325mm	MW1971M325	MW1971MB325
12 - 13"	MW1971-13	MW1971B-13
325 - 350mm	MW1971M350	MW1971MB350
13 - 14"	MW1971-14	MW1971B-14
350 - 375mm	MW1971M375	MW1971MB375
14 - 15"	MW1971-15	MW1971B-15
375 - 400mm	MW1971M400	MW1971MB400
15 - 16"	MW1971-16	MW1971B-16
400 - 425mm	MW1971M425	MW1971MB425
16 - 17"	MW1971-17	MW1971B-17
425 - 450mm	MW1971M450	MW1971MB450
17 - 18"	MW1971-18	MW1971B-18



Features

- Capacities from 150-450mm / 6-18"
- Lightweight frame with ribs and reliefs providing both high strength and user comfort
- Blue textured frame finish
- Tungsten carbide anvils
- 'Speeder' type ratchet and locking lever
- Supplied in a case with recess for setting gauge
- Choice of standard or vernier type sleeve

Large Outside Micrometer 210 Series

Features

Standard: DIN 863

- Strong forged steel frame, hammertone finish, quality insulated grip
- Design Line product
- Resolution 0.01mm
- Satin-chrome scale
- Tapered for easier access to difficult areas
- With tungsten carbide measuring faces and constant force ratchet
- Packed in wooden box with standard and adjusting key



LARGE OUTSIDE MICROMETER

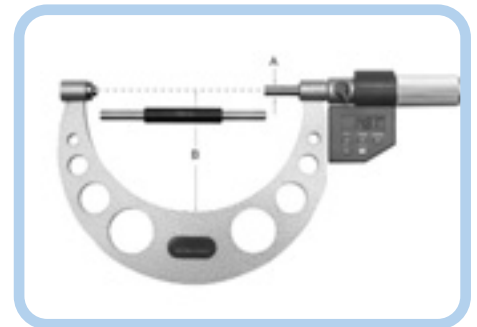
Code No	Range	Resolution
MW210-01	100-125mm	0.01mm
MW210-02	125-150mm	0.01mm
MW210-03	150-175mm	0.01mm
MW210-04	175-200mm	0.01mm
MW210-05	200-225mm	0.01mm
MW210-06	225-250mm	0.01mm
MW210-07	250-275mm	0.01mm
MW210-08	275-300mm	0.01mm

Digitronic Large Outside Micrometer 210 Series

Features

Standard: DIN 863

- Strong forged steel frame, hammertone finish, quality insulated grip
- Design Line product
- Large 7.5mm character height digital display
- Tapered for easier access to difficult areas
- With tungsten carbide measuring faces and constant force ratchet
- Modern design
- 'Soft keys' for maximum operating comfort
- Long life guaranteed
- Functions: mm/inch conversion, tolerance indication, ABS/INC, preset, on/off, zero-setting, data-output, battery low indication
- Packed in wooden box with standard and adjusting key



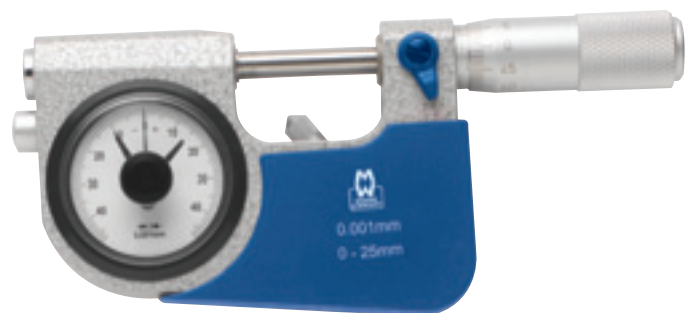
DIGITRONIC LARGE OUTSIDE MICROMETER

Code No	Range	Resolution
MW210-01DDL	100-125mm / 4-5"	0.001mm / 0.00005"
MW210-02DDL	125-150mm / 5-6"	0.001mm / 0.00005"
MW210-03DDL	150-175mm / 6-7"	0.001mm / 0.00005"
MW210-04DDL	175-200mm / 7-8"	0.001mm / 0.00005"
MW210-05DDL	200-225mm / 8-9"	0.001mm / 0.00005"
MW210-06DDL	225-250mm / 9-10"	0.001mm / 0.00005"
MW210-07DDL	250-275mm / 10-11"	0.001mm / 0.00005"
MW210-08DDL	275-300mm / 11-12"	0.001mm / 0.00005"

Analogue Snap Micrometer

Features

- Measuring range 0 - 25mm & 25 - 50mm
- Retractable anvil with an indicator for precise measurement of mass produced parts
- Micrometer accuracy 0.003mm
- Indicator accuracy 0.001mm



ANALOGUE SNAP MICROMETER

Code No	Range	Resolution	Indicator Range
MW290-01	0 - 25mm	0.001mm	+/- 0.04mm
MW290-02	25 - 50mm	0.001mm	+/- 0.04mm

Traditional Micrometer, Boxed Sets

Features

Standard: BS870, DIN 863 / 1, ISO361

- Resolutions of 0.01mm or 0.002mm metric, or 0.001" or 0.0001" imperial
- Tungsten carbide anvils



RESOLUTION 0.01mm / 0.001"

Capacity	Carbide anvils	Micrometers in set
0 - 75mm	MWMEB-122M	3
0 - 3"	MWMEB-122E	3
0 - 150mm	MWMEB-322M	6
0 - 6"	MWMEB-322E	6
0 - 300mm	MWMEB-522M	12
0 - 12"	MWMEB-522E	12

RESOLUTION 0.002mm / 0.0001"

Capacity	Carbide anvils	Micrometers in set
0 - 75mm	MWMEB-222M	3
0 - 3"	MWMEB-221E	3
0 - 150mm	MWMEB-421M	6
0 - 6"	MWMEB-421E	6
0 - 300mm	MWMEB-621M	12
0 - 12"	MWMEB-621E	12

Value Line Outside Micrometer Set 215 Series

Features

Standard: DIN 863

- Resolution 0.01mm
- Satin-chrome scale
- Satin chrome forged steel frame with insulated grip
- With tungsten carbide measuring faces and constant force ratchet
- Packed in wooden box with standards and adjusting key



VALUE LINE OUTSIDE MICROMETER SET

Code No	Range	Resolution	Micrometers in set
MW215-01BL	0-75mm	0.01mm	3 Basic version
MW215-02BL	0-100mm	0.01mm	4 Basic version
MW215-03BL	0-150mm	0.01mm	6 Basic version
MW215-04BL	0-200mm	0.01mm	8 Basic version

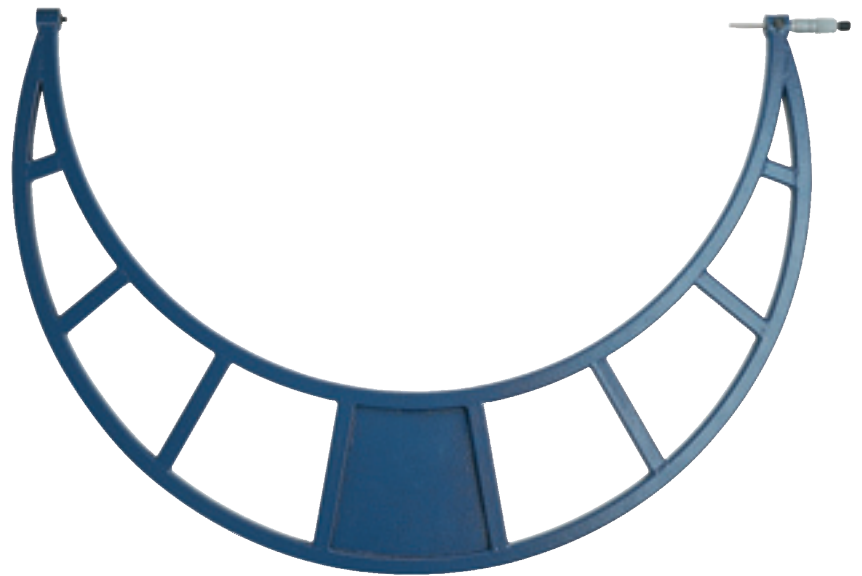
Traditional Tubular Frame 450 - 750 / 18 - 30"

Features

- Lightweight fabricated tubular bow frame providing high rigidity and strength
- Resolution 0.01mm or 0.001"
- Blue textured frame finish
- Tungsten carbide anvils
- 'Speeder' type ratchet and locking lever
- All sizes supplied in a case

Note: Setting gauges are not supplied as standard with 'MET' Series micrometers.

Note: Large capacity external micrometers available up to 1000mm / 40".



ACCURACY

Micrometer Capacity Max Size up to	Measuring Faces		Screw Pitch Accuracy
	Flatness	Parallelism	
525mm	0.003mm	0.018mm	0.005mm
21"	0.0001"	0.0007"	0.0002"
600mm	0.003mm	0.020mm	0.005mm
24"	0.0001"	0.0008"	0.0002"
750mm	0.003mm	0.036mm	0.005mm
30"	0.0001"	0.0014"	0.0002"

METRIC: 450 - 750MM / IMPERIAL: 18 - 30"

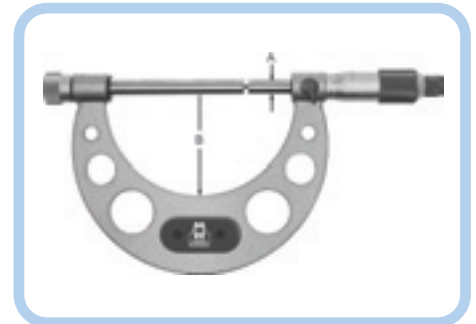
Capacity Metric	Carbide anvils	Capacity Imperial	Carbide anvils
450 - 475mm	MWMET-191M	18 - 19"	MWMET-191E
475 - 500mm	MWMET-201M	19 - 20"	MWMET-201E
500 - 525mm	MWMET-211M	20 - 21"	MWMET-211E
525 - 550mm	MWMET-221M	21 - 22"	MWMET-221E
550 - 575mm	MWMET-231M	22 - 23"	MWMET-231E
575 - 600mm	MWMET-241M	23 - 24"	MWMET-241E
600 - 625mm	MWMET-251M	24 - 25"	MWMET-251E
625 - 650mm	MWMET-261M	25 - 26"	MWMET-261E
650 - 675mm	MWMET-271M	26 - 27"	MWMET-271E
675 - 700mm	MWMET-281M	27 - 28"	MWMET-281E
700 - 725mm	MWMET-291M	28 - 29"	MWMET-291E
725 - 750mm	MWMET-301M	29 - 30"	MWMET-301E

Micrometer With Interchangeable Anvils 217 Series

Features

Standard: DIN 863

- Features wide measuring range with interchangeable anvils
- Hardened and ground spindles/anvils
- Resolution 0.01mm
- Strong forged steel frame, hammertone finish, quality insulated grip
- Design Line product
- Satin-chrome scale
- Tapered for easier access to difficult areas
- With tungsten carbide measuring faces and constant force ratchet
- Packed in wooden box with standard and adjusting key



MICROMETER WITH INTERCHANGEABLE ANVILS

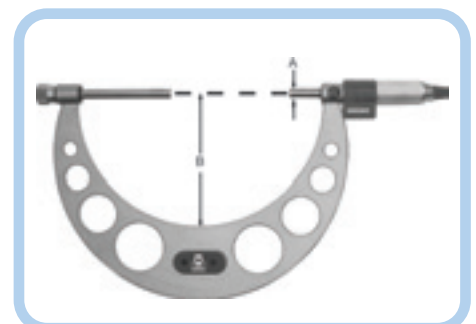
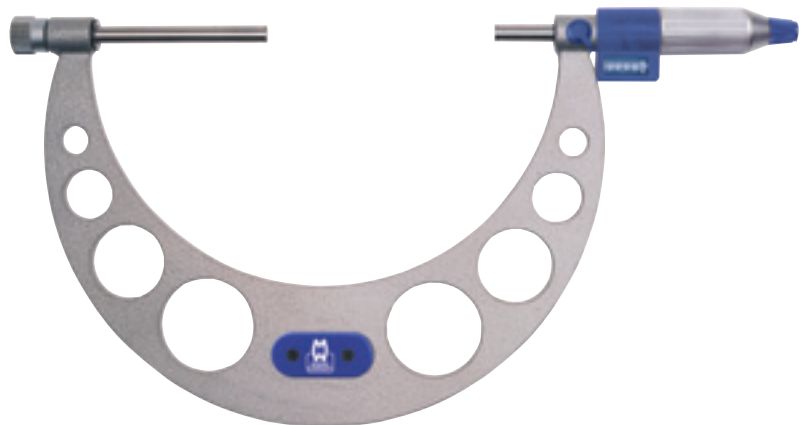
Code No	Range	Resolution
MW217-01	0-100mm	0.01mm
MW217-02	0-150mm	0.01mm
MW217-03	100-200mm	0.01mm
MW217-04	150-300mm	0.01mm
MW217-05	200-300mm	0.01mm

Mechadigit Outside Micrometer With Interchangeable Anvils 217 Series

Features

Standard: DIN 863

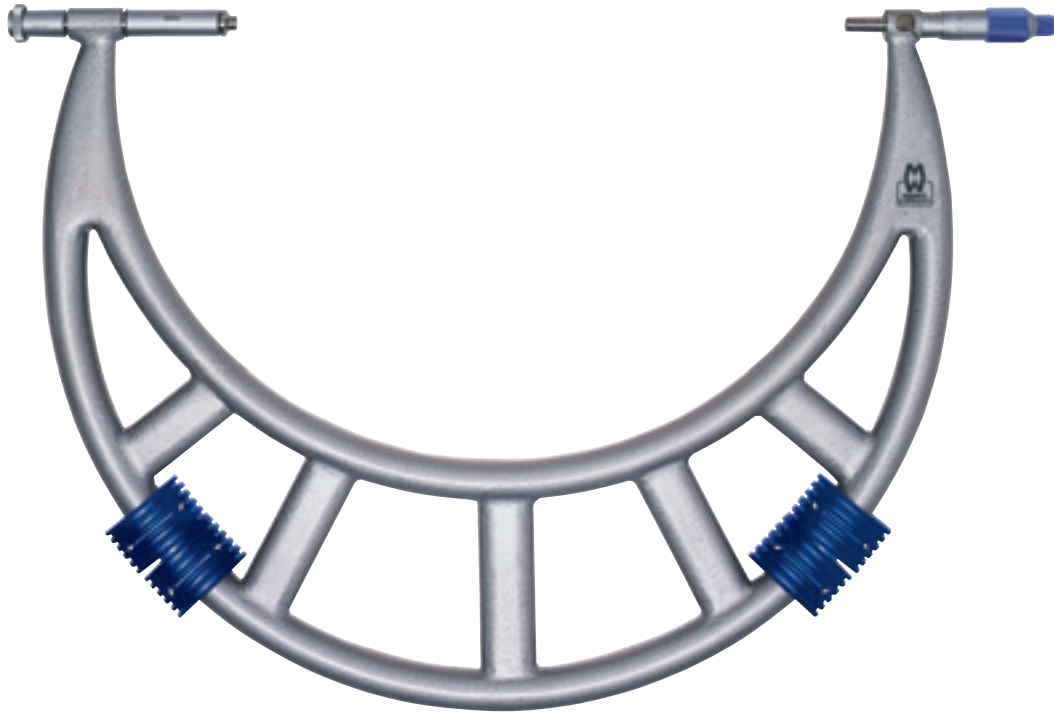
- Features wide measuring range with interchangeable anvils
- Hardened and ground spindles/anvils
- Strong forged steel frame, hammertone finish, quality insulated grip
- Design Line product
- Satin-chrome scale
- Tapered for easier access to difficult areas
- With tungsten carbide measuring faces and constant force ratchet
- Packed in wooden box with standard and adjusting key



MECHADIGIT OUTSIDE MICROMETER INTERCHANGEABLE ANVILS

Code No	Range	Resolution
MW217-01MD	0-150mm	0.001mm
MW217-02MD	150-300mm	0.001mm

Extra Large Outside Micrometer 220 Series



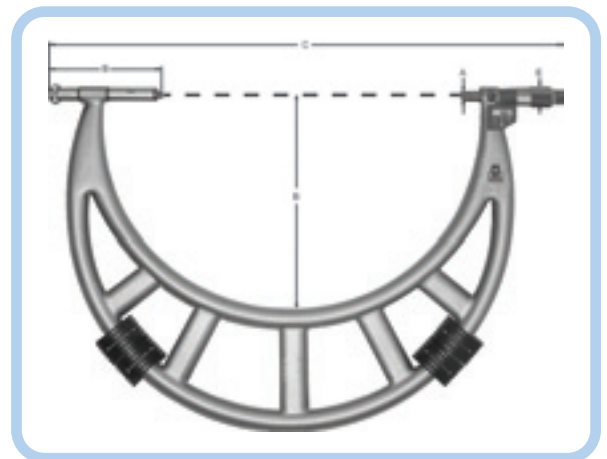
Features

Standard: DIN 863 / IAIS

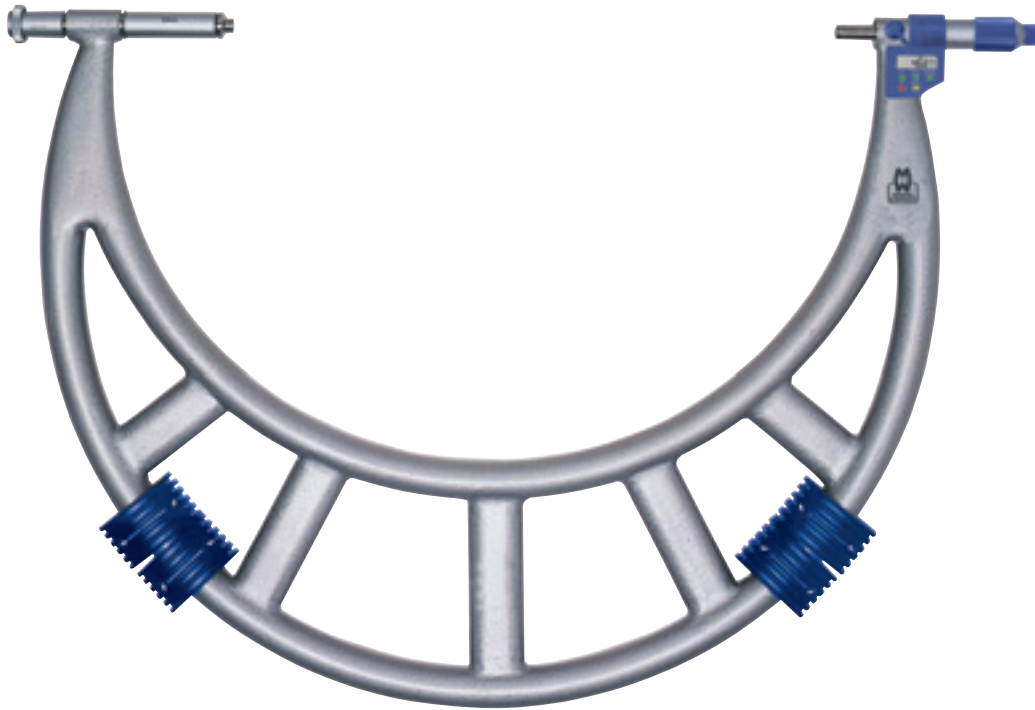
- Features wide measuring range with interchangeable anvils
- Hardened and ground spindles/anvils
- "Tube type" low weight model
- Resolution 0.01mm
- Satin-chrome scale
- Dur-al frame with insulated grips
- With tungsten carbide measuring faces and constant force ratchet
- Packed in wooden/plastic box with standard and adjusting key

EXTRA LARGE OUTSIDE MICROMETER

Code No	Range	Resolution
MW220-01	300-400mm	0.01mm
MW220-02	400-500mm	0.01mm
MW220-03	500-600mm	0.01mm
MW220-04	600-700mm	0.01mm
MW220-05	700-800mm	0.01mm
MW220-06	800-900mm	0.01mm
MW220-07	900-1000mm	0.01mm
MW220-08	1000-1200mm	0.01mm
MW220-09	1200-1400mm	0.01mm



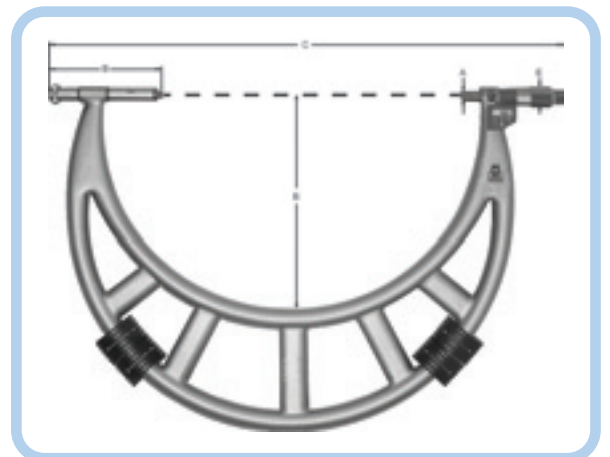
Extra Large Digitronic Outside Micrometer 220 Series



Features

Standard: DIN 863 / IAIS

- Features wide measuring range with interchangeable anvils
- Hardened and ground spindles/anvils
- "Tube type" low weight, Dur-al frame with insulated grips
- Tapered for easier access to difficult areas
- Large 7.5mm character height digital display
- Modern design
- 'Soft keys' for maximum operating comfort
- Long life guaranteed
- Functions: mm/inch conversion, tolerance indication, ABS/INC, preset, on/off, zero-setting, data-output, battery low indication
- With tungsten carbide measuring faces and constant force ratchet on thimble
- Packed in wooden/plastic box with standard and adjusting key



EXTRA LARGE DIGITRONIC OUTSIDE MICROMETER

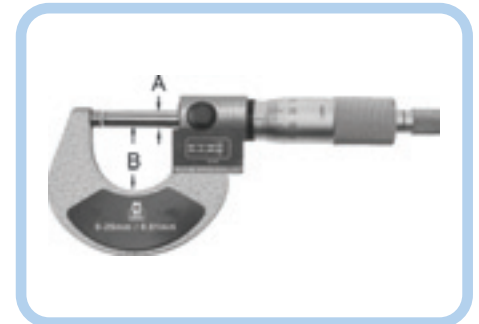
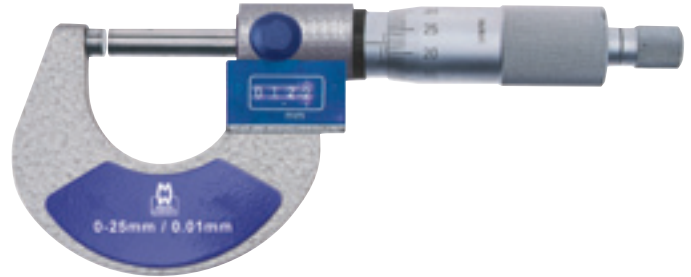
Code No	Range	Resolution
MW220-01DDL	300-400mm / 12-16"	0.001mm / 0.00005"
MW220-02DDL	400-500mm / 16-20"	0.001mm / 0.00005"
MW220-03DDL	500-600mm / 20-24"	0.001mm / 0.00005"
MW220-04DDL	600-700mm / 24-28"	0.001mm / 0.00005"
MW220-05DDL	700-800mm / 28-32"	0.001mm / 0.00005"
MW220-06DDL	800-900mm / 32-36"	0.001mm / 0.00005"
MW220-07DDL	900-1000mm / 36-40"	0.001mm / 0.00005"

Mechadigit Basic Digital Outside Micrometer 230 Series

Features

Standard: DIN 863

- Low cost, mechanical/digital read-out micrometer
- Satin-chrome scale
- No batteries needed
- Forged steel frame with insulated grip
- Tapered for easier access to difficult areas
- With tungsten carbide measuring faces and constant force ratchet
- Packed in wooden/plastic box with standard and adjusting key



MECHADIGIT BASIC DIGITAL OUTSIDE MICROMETER

Code No	Range	Resolution
MW230-01MDB	0-25mm	0.01mm
MW230-02MDB	25-50mm	0.01mm
MW230-03MDB	50-75mm	0.01mm
MW230-04MDB	75-100mm	0.01mm

Mechadigit Digital Outside Micrometer 230 Series

Features

Standard: DIN 863

- Superior mechanical/digital read-out micrometer
- Patented system
- No batteries needed
- Satin-chrome scale
- Forged steel frame with high quality insulated grip
- Tapered for easier access to difficult areas
- With tungsten carbide measuring faces and constant force ratchet on thimble
- Packed in wooden/plastic box with standard and adjusting key



MECHADIGIT DIGITAL OUTSIDE MICROMETER

Code No	Range	Resolution
MW230-01MD	0-25mm	0.001mm
MW230-02MD	25-50mm	0.001mm
MW230-03MD	50-75mm	0.001mm
MW230-04MD	75-100mm	0.001mm

Screw Thread Micrometer With Anvils 235 Series

Features

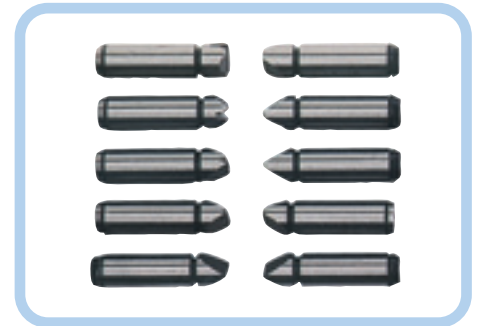
Standard: DIN 863

- Features 6 sets of interchangeable v-anvil inserts for different metric pitches
- Full set of metric anvil inserts included
- Tapered for easier access to difficult areas
- Features non-rotating spindle and constant force ratchet thimble
- Resolution 0.01mm
- Satin-chrome scale
- Hammertone finished frame with high quality insulated grip
- Packed in plastic box with standard and adjusting key



SCREW THREAD MICROMETER WITH ANVILS

Code No	Range	Resolution
MW235-01	0-25mm	0.01mm
MW235-02	25-50mm	0.01mm
MW235-03	50-75mm	0.01mm
MW235-04	75-100mm	0.01mm
MW235-05	100-125mm	0.01mm
MW235-06	125-150mm	0.01mm
MW235-07	150-175mm	0.01mm
MW235-08	175-200mm	0.01mm



Digitronic Screw Thread Micrometer With Anvils 235 Series

Features

Standard: DIN 863

- Digital outside micrometer with 'easy read' large 7.5mm character height, digital display
- Features 5 sets of interchangeable v-anvil inserts for different metric pitches
- Full set of metric anvil inserts included
- Tapered for easier access to difficult areas
- Modern design
- Soft keys' for maximum operating comfort
- Long life guaranteed
- Features non-rotating spindle and constant force ratchet thimble
- Hammertone finished frame with high quality insulated grip
- ABS/INC, preset, on/off, zero-setting, data-output, battery low indication
- Packed in plastic box with standard and adjusting key



DIGITRONIC SCREW THREAD MICROMETER WITH ANVILS

Code No	Range	Resolution
MW235-01DDL	0-25mm / 0-1"	0.001mm / 0.00005"
MW235-02DDL	25-50mm / 1"-2"	0.001mm / 0.00005"
MW235-03DDL	50-75mm / 2"-3"	0.001mm / 0.00005"
MW235-04DDL	75-100mm / 3"-4"	0.001mm / 0.00005"



Metric and Imperial Inserts 235 Series

Features

- Exclusive for MOORE & WRIGHT 235 Series
- Supplied in sets of 2 parts
- Available in Metric Pitch (mm) or Imperial (Inch)



METRIC AND IMPERIAL INSERTS

Code No	Range	Code No	Range	Code No	Range
MW235-10	0.4 - 0.5mm	MW235-11	60-48TPI	MW235-71	14-10TPI
MW235-20	0.6 - 0.9mm	MW235-21	48-40TPI	MW235-81	10-7TPI
MW235-30	1.00 - 1.75mm	MW235-31	40-32TPI	MW235-91	7-4.5TPI
MW235-40	2.00 - 3.00mm	MW235-41	32-24TPI	MW235-99	4.5-3.5TPI
MW235-50	3.50 - 5.00mm	MW235-51	24-18TPI		
MW235-60	5.50 - 7.00mm	MW235-61	18-14TPI		

Digitronic Universal Anvil Micrometer 237 Series

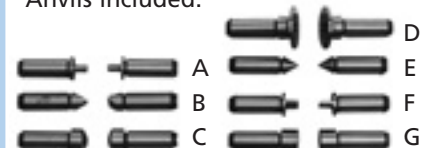
Features

Standard: DIN 863

- Digital outside micrometer with 'easy read' large 7.5mm character height, digital display
- Features interchangeable universal anvil inserts for different purposes
- Full set of inserts included, flat, disc, spline, conical, V-shaped, blade, point
- Tapered for easier access to difficult areas
- 'Soft keys' for maximum operating comfort
- Long life guaranteed
- Features non-rotating spindle and constant force ratchet thimble
- Hammertone finished frame with high quality insulated grip
- Functions: mm/inch conversion, tolerance indication, ABS/INC, preset, on/off, zerosetting, data-output, battery low indication
- Packed in plastic box with standard and adjusting key



Anvils included:



DIGITRONIC UNIVERSAL ANVIL MICROMETER

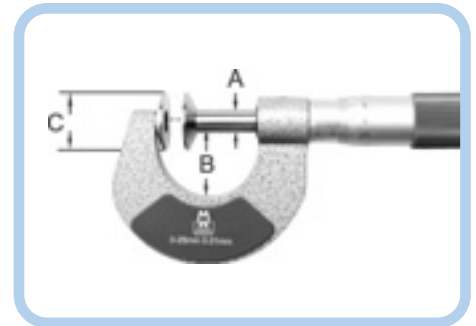
Code No	Range	Resolution
MW237-01DDL	0-25mm / 0-1"	0.001mm / 0.00005"
MW237-02DDL	25-50mm / 1-2"	0.001mm / 0.00005"
MW237-03DDL	50-75mm / 2-3"	0.001mm / 0.00005"
MW237-04DDL	75-100mm / 3-4"	0.001mm / 0.00005"

Disc Micrometer 240 Series

Features

Standard: DIN 863

- High quality micrometer for measuring gear root, paper, etc.
- Design Line product
- Resolution 0.01mm
- Satin-chrome scale
- Hammertone finished frame with high quality insulated grip
- Tapered for easier access to difficult areas
- Constant force ratchet on thimble
- Packed in plastic box with standard and adjusting key



DISC MICROMETER

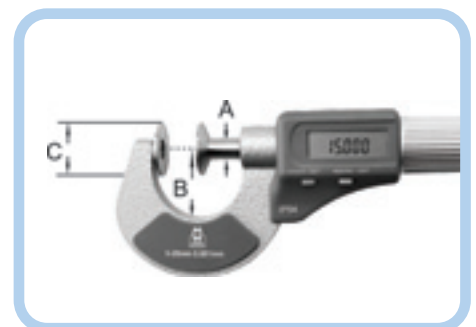
Code No	Range	Resolution
MW240-01	0-25mm	0.01mm
MW240-02	25-50mm	0.01mm
MW240-03	50-75mm	0.01mm
MW240-04	75-100mm	0.01mm

Digitronic Disc Micrometer 240 Series

Features

Standard: DIN 863

- High quality Digitronic micrometer for measuring gear root, paper, etc.
- Features 'easy to read' large 7.5mm character height, digital display
- Tapered for easier access to difficult areas
- Modern design
- 'Soft keys' for maximum operating comfort
- Long life guaranteed
- Features non-rotating spindle and constant force ratchet thimble
- Hammertone finished frame with high quality insulated grip
- Functions: mm/inch conversion, tolerance indication, ABS/INC, preset, on/off, zersetting, data-output, battery low indication
- Packed in plastic box with standard and adjusting key



DIGITRONIC DISC MICROMETER

Code No	Range	Resolution
MW240-01DDL	0-25mm / 0-1"	0.001mm / 0.00005"
MW240-02DDL	25-50mm / 1-2"	0.001mm / 0.00005"
MW240-03DDL	50-75mm / 2-3"	0.001mm / 0.00005"
MW240-04DDL	75-100mm / 3-4"	0.001mm / 0.00005"

V-Anvil Micrometer 250 Series

Features

Standard: DIN 863

- High quality micrometer with V-anvil for measuring 3 and 5 fluted taps, reamers, end-mills etc.
- Resolution 0.01mm
- Satin-chrome scale
- Hammertone finished frame with high quality insulated grip
- With tungsten carbide measuring faces and constant force ratchet on thimble
- Packed in plastic box with standard and adjusting key



V-ANVIL MICROMETER

Code No	Range	Resolution	V-anvil
MW250-01	1-15mm	0.01mm	3-flutes
MW250-02	5-20mm	0.01mm	3-flutes
MW250-03	20-35mm	0.01mm	3-flutes
MW250-04	35-50mm	0.01mm	3-flutes
MW250-05	5-25mm	0.01mm	5-flutes
MW250-06	25-45mm	0.01mm	5-flutes

Digitronic V-Anvil Micrometer 250 Series

Features

Standard: DIN 863

- High quality micrometer with V-anvil for measuring 3 and 5 fluted taps, reamers, end-mills etc.
- Features 'easy to read' large 7.5mm character height, digital display
- 'Soft keys' for maximum operating comfort
- Long life guaranteed
- With constant force ratchet thimble
- Hammertone finished frame with high quality insulated grip
- Functions: mm/inch conversion, tolerance indication, ABS/INC, preset, on/off, zero setting, data-output, battery low indication
- Packed in plastic box with standard and adjusting key



DIGITRONIC V-ANVIL MICROMETER

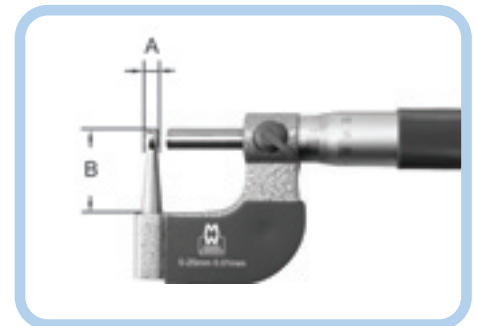
Code No	Range	Resolution	V-anvil
MW250-01DDL	1-15mm / 0.04-0.6"	0.001mm / 0.0005"	3-flutes
MW250-02DDL	5-20mm / 0.2-0.8"	0.001mm / 0.0005"	3-flutes
MW250-03DDL	20-35mm / 0.8-1.4"	0.001mm / 0.0005"	3-flutes
MW250-04DDL	35-50mm / 1.4-2"	0.001mm / 0.0005"	3-flutes

Tube Micrometer 255 Series

Features

Standard: DIN 863

- High quality micrometer for measuring tube wall thickness
- With spherical anvil
- Design Line product
- Resolution 0.01mm
- Satin-chrome scale
- Hammertone finished frame with high quality insulated grip
- With tungsten carbide measuring faces and constant force ratchet on thimble
- Packed in plastic box with standard and adjusting key



TUBE MICROMETER

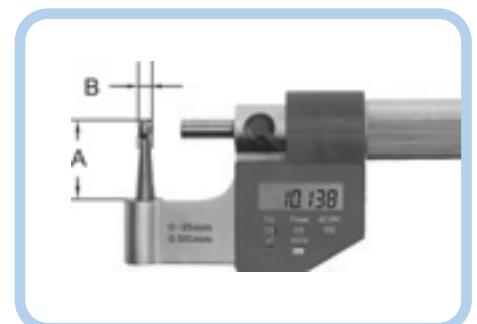
Code No	Range	Resolution
MW255-01	0-25mm	0.01mm
MW255-02	25-50mm	0.01mm

Digitronic Tube Micrometer 255 Series

Features

Standard: DIN 863

- High quality Digitronic micrometer for measuring tube wall thickness
- With spherical anvil
- Features 'easy to read' large 7.5mm character height, digital display
- 'Soft keys' for maximum operating comfort
- Long life guaranteed
- With constant force ratchet thimble
- Chrome plated frame with high quality insulated grip
- Functions: mm/inch conversion, tolerance indication, ABS/INC, preset, on/off, zero setting, data-output, battery low indication
- Packed in plastic box with standard and adjusting key



DIGITRONIC TUBE MICROMETER

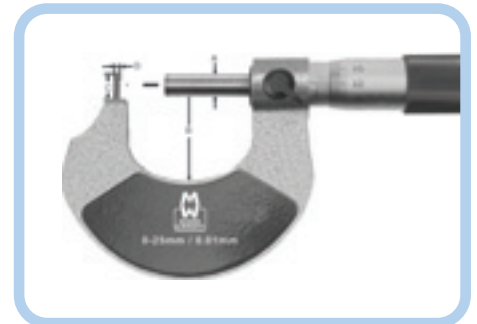
Code No	Range	Resolution
MW255-01DDL	0-25mm / 0-1"	0.001mm / 0.00005"
MW255-02DDL	25-50mm / 1-2"	0.001mm / 0.00005"

Tube Micrometer 257 Series

Features

Standard: DIN 863

- High quality micrometer for measuring tube wall thickness
- With cylindrical shape anvil
- Design Line product
- Resolution 0.01mm
- Satin-chrome scale
- Tapered for easier access to difficult areas
- Hammertone finished frame with high quality insulated grip
- With tungsten carbide measuring faces and constant force ratchet on thimble
- Packed in plastic box with standard and adjusting key



TUBE MICROMETER

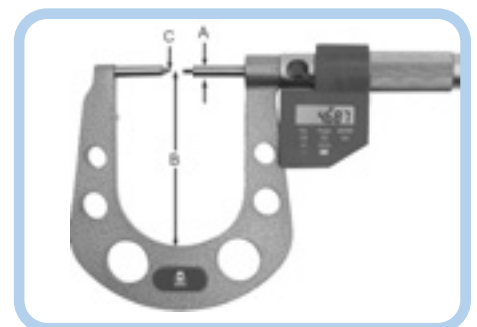
Code No	Range	Resolution
MW257-01	0-25mm	0.01mm
MW257-02	25-50mm	0.01mm
MW257-03	50-75mm	0.01mm
MW257-04	75-100mm	0.01mm

Digitronic Brake Disc Micrometer 242 Series

Features

Standard: DIN 863

- High quality micrometer for measuring thickness of brake disc from cars, trucks etc. or other purposes that need single point measurement
- Features 'easy to read' large 7.5mm character height, digital display
- Tapered for easier access to difficult areas
- 'Soft keys' for maximum operating comfort
- Long life guaranteed
- Constant force ratchet thimble
- Hammertone finished frame with high quality insulated grip
- Functions: mm/inch conversion, tolerance indication, ABS/INC, preset, on/off, zero setting, data-output, battery low indication
- Packed in plastic box with standard and adjusting key



DIGITRONIC BRAKE DISC MICROMETER

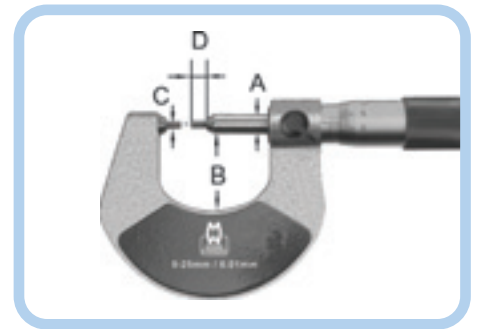
Code No	Range	Resolution
MW242-01DDL	7.6-33mm / 0.3-1.3"	0.001mm / 0.0005"
MW242-02DDL	25-50mm / 1-2"	0.001mm / 0.0005"

Spline Micrometer 260 Series

Features

Standard: DIN 863

- Micrometer for measuring splines, slots and keyways
- Design Line product
- Resolution 0.01mm
- Satin-chrome scale
- Tapered for easier access to difficult areas
- Hammertone finished frame with high quality insulated grip
- With tungsten carbide measuring faces and constant force ratchet on thimble
- Packed in plastic box with standard and adjusting key



SPLINE MICROMETER

Code No	Range	Resolution
MW260-01	0-25mm	0.01mm
MW260-02	25-50mm	0.01mm
MW260-03	50-75mm	0.01mm
MW260-04	75-100mm	0.01mm

Digitronic Spline Micrometer 260 Series

Features

Standard: DIN 863

- Micrometer for measuring splines, slots and keyways
- Features 'easy to read' large 7.5mm character height, digital display
- 'Soft keys' for maximum operating comfort
- Long life guaranteed
- With constant force ratchet thimble
- Hammertone finished frame with high quality insulated grip
- Tapered for easier access to difficult areas
- Functions: mm/inch conversion, tolerance indication, ABS/INC, preset, on/off, zero setting, data-output, battery low indication
- Packed in plastic box with standard and adjusting key



DIGITRONIC SPLINE MICROMETER

Code No	Range	Resolution
MW260-01DDL	0-25mm / 0-1"	0.001mm / 0.00005"
MW260-02DDL	25-50mm / 1-2"	0.001mm / 0.00005"
MW260-03DDL	50-75mm / 2-3"	0.001mm / 0.00005"
MW260-04DDL	75-100mm / 3-4"	0.001mm / 0.00005"

Point Micrometer 270 Series

Features

Standard: DIN 863

- Pointed spindle and anvil for measuring the web thickness of drills, small grooves, keyways and other hard to reach places
- Design Line product
- Resolution 0.01mm
- Satin-chrome scale
- Hammertone finished frame with high quality insulated grip
- Tapered for easier access to difficult areas
- With tungsten carbide measuring faces and constant force ratchet on thimble
- Packed in plastic box with standard and adjusting key



POINT MICROMETER

Code No	Range	Resolution	Point angle
MW270-01	0-25mm	0.01mm	15°
MW270-02	25-50mm	0.01mm	15°
MW270-03	50-75mm	0.01mm	15°
MW270-04	75-100mm	0.01mm	15°
MW270-05	0-25mm	0.01mm	30°
MW270-06	25-50mm	0.01mm	30°
MW270-07	50-75mm	0.01mm	30°
MW270-08	75-100mm	0.01mm	30°

Digitronic Point Micrometer 270 Series

Features

Standard: DIN 863

- Pointed spindle and anvil for measuring the web thickness of drills, small grooves, keyways and other hard to reach places
- Features 'easy to read' large 7.5mm character height, digital display
- Modern design
- 'Soft keys' for maximum operating comfort
- Long life guaranteed
- With constant force ratchet thimble
- Hammertone finished frame with high quality insulated grip
- Tapered for easier access to difficult areas
- Functions: mm/inch conversion, tolerance indication, ABS/INC, preset, on/off, zero setting, data-output, battery low indication
- Packed in plastic box with standard and adjusting key



DIGITRONIC POINT MICROMETER

Code No	Range	Resolution	Point angle
MW270-01DDL	0-25mm / 0-1"	0.001mm / 0.00005"	15°
MW270-02DDL	25-50mm / 1-2"	0.001mm / 0.00005"	15°
MW270-03DDL	50-75mm / 2-3"	0.001mm / 0.00005"	15°
MW270-04DDL	75-100mm / 3-4"	0.001mm / 0.00005"	15°
MW270-05DDL	0-25mm / 0-1"	0.001mm / 0.00005"	30°
MW270-06DDL	25-50mm / 1-2"	0.001mm / 0.00005"	30°
MW270-07DDL	50-75mm / 2-3"	0.001mm / 0.00005"	30°
MW270-08DDL	75-100mm / 3-4"	0.001mm / 0.00005"	30°

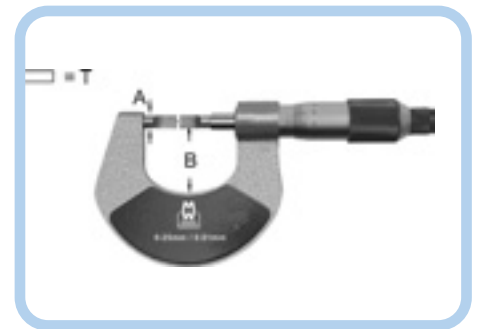


Blade Outside Micrometer 275 Series

Features

Standard: DIN 863

- Blade type micrometer with non-rotating spindle
- For measuring grooves, keyways etc.
- Design Line product
- Resolution 0.01mm
- Satin-chrome scale
- Hammertone finished frame with high quality insulated grip
- Tapered for easier access to difficult areas
- Constant force ratchet on thimble
- Packed in plastic box with standard and adjusting key



BLADE OUTSIDE MICROMETER

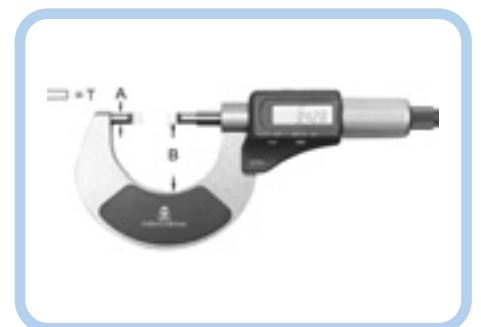
Code No	Range	Resolution
MW275-01	0-25mm	0.01mm
MW275-02	25-50mm	0.01mm
MW275-03	50-75mm	0.01mm
MW275-04	75-100mm	0.01mm

Digitronic Blade Outside Micrometer 275 Series

Features

Standard: DIN 863

- Blade type micrometer with non-rotating spindle
- For measuring grooves, keyways etc.
- Design Line product
- Resolution 0.001mm
- Satin-chrome scale
- Hammertone finished frame with high quality insulated grip
- Tapered for easier access to difficult areas
- Constant force ratchet on thimble
- Packed in plastic box with standard and adjusting key



DIGITRONIC BLADE OUTSIDE MICROMETER

Code No	Range	Resolution
MW275-01DDL	0-25mm / 0-1"	0.001mm / 0.00005"
MW275-02DDL	25-50mm / 1-2"	0.001mm / 0.00005"
MW275-03DDL	50-75mm / 2-3"	0.001mm / 0.00005"
MW275-04DDL	75-100mm / 3-4"	0.001mm / 0.00005"

Sheet Metal Micrometer 278 Series

Features

Standard: DIN 863

- For measuring sheet metal, discs etc.
- Design Line product
- Resolution 0.01mm
- Satin-chrome scale
- Hammertone finished frame with high quality insulated grip
- Tapered for easier access to difficult areas
- With tungsten carbide measuring faces and constant force ratchet on thimble
- Packed in wooden box with standard and adjusting key



SHEET METAL MICROMETER

Code No	Range	Resolution	Throat Depth
MW278-01	0-25mm	0.01mm	150mm

Digitronic Sheet Metal Micrometer 278 Series

Features

Standard: DIN 863

- For measuring sheet metal, discs etc.
- Features 'easy to read' large 7.5mm character height, digital display
- Modern design
- 'Soft keys' for maximum operating comfort
- Long life guaranteed
- With constant force ratchet thimble
- Hammertone finished frame with high quality insulated grip
- Functions: mm/inch conversion, tolerance indication, ABS/INC, preset, on/off, zero-setting, data-output, battery low indication
- Packed in wooden box with standard and adjusting key



DIGITRONIC SHEET METAL MICROMETER

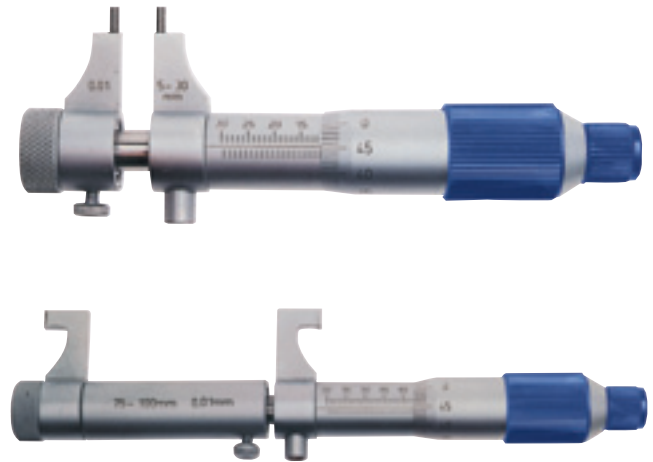
Code No	Range	Resolution	Throat Depth
MW278-01DDL	0-25mm	0.001mm	150mm

Caliper Type Inside Micrometer 280 Series

Features

Standard: DIN 863

- For measuring the inside of a bore or hole
- Resolution 0.01mm
- With constant force ratchet thimble
- Satin chrome finished frame
- With tungsten carbide measuring faces and constant force ratchet
- Locking clamp for positive locking of spindle
- Packed in wooden/plastic box with setting ring and adjusting key



CALIPER TYPE INSIDE MICROMETER

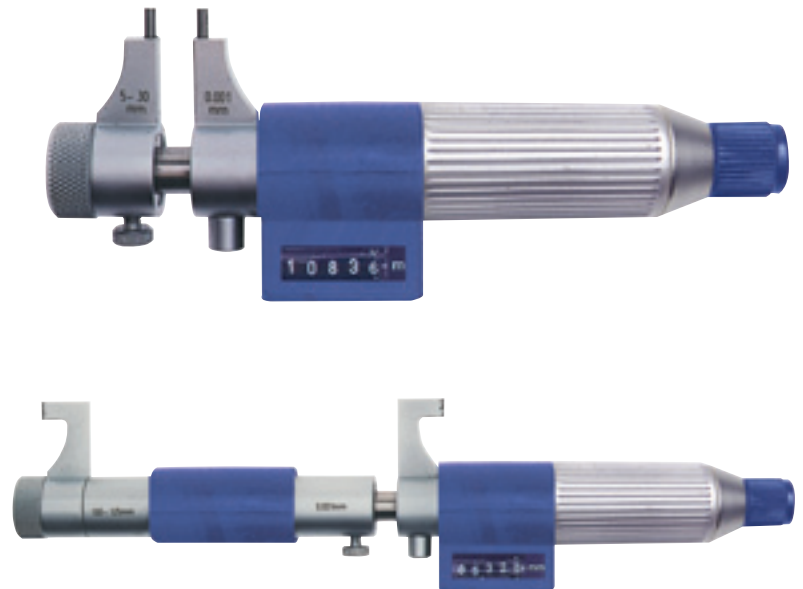
Code No	Range	Resolution	Setting ring
MW280-01	5-30mm	0.01mm	Yes
MW280-02	25-50mm	0.01mm	Yes
MW280-03	50-75mm	0.01mm	No
MW280-04	75-100mm	0.01mm	No
MW280-05	100-125mm	0.01mm	No
MW280-06	125-150mm	0.01mm	No
MW280-07	150-175mm	0.01mm	No
MW280-08	175-200mm	0.01mm	No

Mechadigit Caliper Type Inside Micrometer 280 Series

Features

Standard: DIN 863

- For measuring the inside of a bore or hole
- Superior Mechadigit counter for error-free reading
- Patented system
- No batteries needed
- Satin-chrome scale
- Forged steel frame with high quality insulated grip
- Tapered for easier access to difficult areas
- With tungsten carbide measuring faces and constant force ratchet on thimble
- Packed in wooden/plastic box with standard and adjusting key



CALIPER TYPE INSIDE MICROMETER

Code No	Range	Resolution	Setting ring
MW280-01MD	5-30mm	0.001mm	Yes
MW280-02MD	25-50mm	0.001mm	Yes
MW280-03MD	50-75mm	0.001mm	No
MW280-04MD	75-100mm	0.001mm	No

Caliper Type Inside Micrometer 280 Series

Features

Standard: DIN 863

- For measuring the inside of a bore or hole
- Features 'easy to read' large 7.5mm character height, digital display
- Modern design
- 'Soft keys' for maximum operating comfort
- Long life guaranteed
- With constant force ratchet thimble
- Satin chrome finished frame with high quality insulated grip
- Functions: mm/inch conversion, tolerance indication, ABS/INC, preset, on/off, zero-setting, data-output, battery low indication
- Packed in wooden box with standard and adjusting key



CALIPER TYPE INSIDE MICROMETER

Code No	Range	Resolution	Setting Ring
MW280-01DDL	5-30mm / 0.2"-1.2"	0.001mm / 0.00005"	Yes
MW280-02DDL	25-50mm / 1"-2"	0.001mm / 0.00005"	Yes
MW280-03DDL	50-75mm / 2"-3"	0.001mm / 0.00005"	No
MW280-04DDL	75-100mm / 3"-4"	0.001mm / 0.00005"	No
MW280-05DDL	100-125mm / 4"-5"	0.001mm / 0.00005"	No
MW280-06DDL	125-150mm / 5"-6"	0.001mm / 0.00005"	No

Tubular Inside Micrometer 300 Series

Features

Standard: DIN 863

- Ideal for large diameters
- With tungsten carbide measuring faces
- All measuring faces are micro-lapped
- Satin-chromed scale and body with lock screw
- Resolution 0.01mm
- All extension pieces equipped with gaugeparts are under constant spring loading
- Packed in a wooden box



TUBULAR INSIDE MICROMETER

Code No	Range	Resolution
MW300-01	50-250mm	0.01mm
MW300-02	50-600mm	0.01mm
MW300-03	150-1400mm	0.01mm
MW300-04	150-2000mm	0.01mm
MW300-05	1000-2000mm	0.01mm

Traditional Internal Micrometer 900 Series

Features

Standard: BS959

- Supplied with measuring head, extension rods and spacing collar for alternative measuring ranges
- Smaller models have detachable extension handles (901, 902 & 903)
- All models supplied in a fitted case



TRADITIONAL INTERNAL MICROMETER

Capacity	Head Range	Code No
25 - 55mm	5mm	MW9901M
1 - 2"	0.25"	MW901
50 - 210mm	10mm	MW902M
2 - 8"	0.50"	MW902
50 - 310mm	10mm	MW903M
2 - 12"	0.50"	MW903
200 - 825mm	25mm	MW908M825
8 - 33"	1.00"	MW908-33

Traditional Internal Micrometer 783 Series

Features

Standard: BS959

- Designed with a radius ground, fixed anvil for use on flat or curved surfaces
- Larger sizes (5"-12") fitted with insulating sleeve, smaller sizes (2"-5") fitted with handle
- All models supplied in a fitted case



Note: Sizes above 300mm/12" available on request

METRIC RESOLUTION 0.01mm

Capacity	Head Range	Code No
50 - 63mm	13mm	MW783M63
63 - 75mm	13mm	MW783M75
75 - 88mm	13mm	MW783M88
88 - 100mm	13mm	MW783M100
100 - 113mm	13mm	MW783M113
113 - 125mm	13mm	MW783M125
125 - 150mm	25mm	MW783M150
150 - 175mm	25mm	MW783M175
175 - 200mm	25mm	MW783M200
200 - 225mm	25mm	MW783M225
225 - 250mm	25mm	MW783M250
250 - 275mm	25mm	MW783M275
275 - 300mm	25mm	MW783M300

IMPERIAL RESOLUTION 0.001"

Capacity	Head Range	Code No
2 - 2 1/2"	1/2"	MW783-212
2 1/2 - 3"	1/2"	MW783-3
3 - 3 1/2"	1/2"	MW783-312
3 1/2 - 4"	1/2"	MW783-4
4 - 4 1/2"	1/2"	MW783-412
4 1/2 - 5"	1/2"	MW783-5
5 - 6"	1"	MW783-6
6 - 7"	1"	MW783-7
7 - 8"	1"	MW783-8
8 - 9"	1"	MW783-9
9 - 10"	1"	MW783-10
10 - 11"	1"	MW783-11
11 - 12"	1"	MW783-12

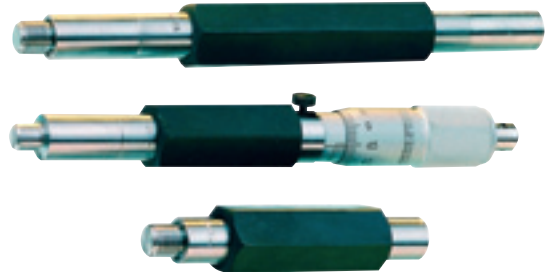
Traditional Internal Micrometer G700 Series

Features

Standard: BS959

- Suitable for applications requiring a wide measuring range
- Stick micrometer consists of a micrometer with a set of extension rods
- All models supplied in a fitted case

Please Note: When using a stick micrometer, the instrument should be fully supported to prevent sagging and inaccuracies



Micrometer head with a range of rods and terminal ends.



MWG710

METRIC / IMPERIAL: ACCESSORIES

Capacity	Head Range	Code No
Micrometer Head*		MWG700M MWG700E
Extension Rod	25mm 1"	MWMST-791M MWMST-791E
Extension Rod	50mm 2"	MWMST-792M MWMST-792E
Extension Rod	75mm 3"	MWMST-793M MWMST-793E
Extension Rod	150mm 6"	MWMST-794M MWMST-794E
Extension Rod	300mm 12"	MWMST-795M MWMST-795E
Extension Rod	600mm 24"	MWMST-796M MWMST-796E

*Complete with Terminal End

METRIC: 150 - 6175mm, RESOLUTION 0.01mm

Capacity	Head Range	Rod Lengths	Code No
150 - 1375mm 6" - 4' 7"	25mm 1"	25, 50, 75, 150, 300, 600mm	MWG704M MWG704
150 - 3175mm 6" - 10' 7"	25mm 1"	25, 50, 75, 150, 300, 4 x 600mm	MWG710M MWG710
150 - 6175mm 6" - 20' 7"	25mm 1"	25, 50, 75, 150, 300, 9 x 600mm	MWG720M MWG720

Traditional Depth Gauge Micrometer

MW890 Series:

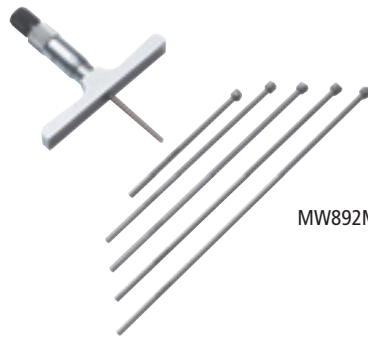
- Fixed depth rod, 6.8mm diameter
- 63.5mm / 2 1/2" base length
- 'Speeder' type ratchet
- Lock screw

MW891 Series:

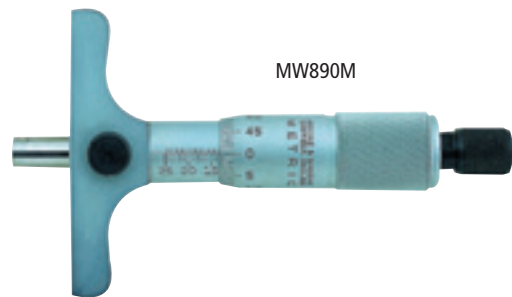
- Interchangeable depth rods, 4mm diameter
- 63.5mm / 2 1/2" base length

MW892 Series:

- As 891 Series except for:
100mm / 4" base length



MW892M



MW890M

DEPTH GAUGE MICROMETER			
Capacity	MW890 Series	MW891 Series	MW892 Series
0 - 25mm	MW890M	n/a	n/a
0 - 1"	MW890	n/a	n/a
0 - 75mm	n/a	MW891M75	MW892M75
0 - 3"	n/a	MW891-3	MW892-3
0 - 150mm	n/a	MW891M150	MW892M150
0 - 6"	n/a	MW891-6	MW892-6
0 - 300mm	n/a	MW891M300	MW892M300
0 - 12"	n/a	MW891-12	MW892-12

Digitronic Depth Micrometer 305 Series

Features

Standard: DIN 863

- Interchangeable rods
- Rods are hardened and the measuring faces are micro-lapped
- Features 'easy to read' large 7.5mm character height, digital display
- 'Soft keys' for maximum operating comfort
- Constant force ratchet thimble
- Satin chrome finished base
- Functions: mm / inch conversion, tolerance indication, ABS / INC, preset, on / off, zero - setting, battery low indication



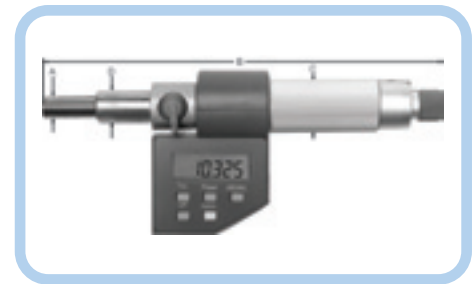
DIGITRONIC DEPTH MICROMETER			
Code No	Capacity	Resolution	Base
MW305-00DDL	0 - 25mm / 0 - 1"	0.001mm / 0.00005"	4" / 100mm
MW305-01DDL	0 - 50mm / 0 - 2"	0.001mm / 0.00005"	4" / 100mm
MW305-02DDL	0 - 100mm / 0 - 4"	0.001mm / 0.00005"	4" / 100mm
MW305-03DDL	0 - 150mm / 0 - 6"	0.001mm / 0.00005"	4" / 100mm
MW305-04DDL	0 - 200mm / 0 - 8"	0.001mm / 0.00005"	4" / 100mm
MW305-05DDL	0 - 300mm / 0 - 12"	0.001mm / 0.00005"	4" / 100mm

Digitronic Standard Micrometer Head 310 Series

Features

Standard: DIN 862

- Universal micrometer head for X-Y stages or other purposes
- Features 'easy to read' large 7.5mm character height, digital display
- 'Soft keys' for maximum operating comfort
- Long life guaranteed
- With constant force ratchet thimble or ratchet stop
- Satin chrome finished frame with high quality insulated grip
- Functions: mm/inch conversion, tolerance indication, ABS/INC, preset, on/off, zero setting, data-output, battery low indication
- Packed in wooden box with standard and adjusting key



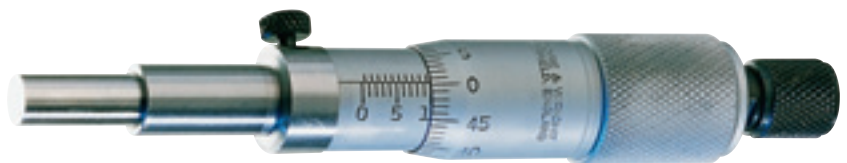
DIGITRONIC STANDARD MICROMETER HEAD

Code No	Range	Measuring Face	Resolution
MW310-25D6A	0-25mm / 0-1"	6mm / Flat	0.001mm / 0.00005"
MW310-25D8A	0-25mm / 0-1"	8mm / Flat	0.001mm / 0.00005"
MW310-25D6B	0-25mm / 0-1"	6mm / Spherical	0.001mm / 0.00005"
MW310-25D8B	0-25mm / 0-1"	8mm / Spherical	0.001mm / 0.00005"

Micrometer Head 543 Series

Features

- Fitted with 'speeder' type ratchet
- Locking screw
- Resolution 0.01mm/0.001"



MICROMETER HEAD

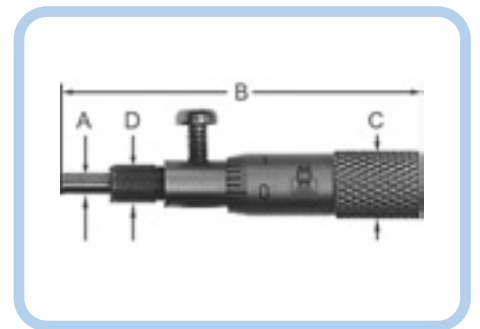
Code No	Range	Resolution
MWMHM543M	0-25mm	0.01mm
MWMHM543E	0-1"	0.01mm

Extra Small Micrometer Head 310 Series

Features

Standard: Factory Standard

- Universal micrometer head for incorporating into machines or other purposes
- Satin chrome finished body
- Laser engraved graduations



EXTRA SMALL MICROMETER HEAD

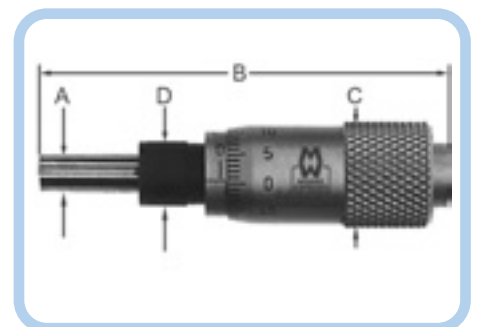
Code No	Range	Measuring face	Resolution
MW310-05	0-5mm	Flat	0.01mm
MW310-05R	0-5mm	Spherical	0.01mm

Small Micrometer Head 310 Series

Features

Standard: Factory Standard

- Universal small micrometer head for incorporating into machines or other purposes, easy to read due to large thimble
- Satin chrome finished body
- Laser engraved graduations



SMALL MICROMETER HEAD

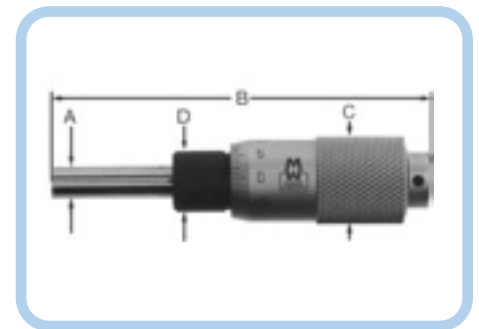
Code No	Range	Measuring face	Resolution
MW310-06	0-6.5mm	Flat	0.01mm
MW310-06R	0-6.5mm	Spherical	0.01mm

Small Micrometer Head 310 Series

Features

Standard: Factory Standard

- Spindle diameter 6.5mm
- Universal small micrometer head for X-Y stages or other purposes
- Satin chrome finished body
- Laser engraved graduations



SMALL MICROMETER HEAD

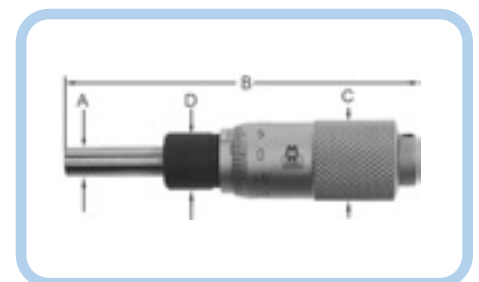
Code No	Range	Measuring face	Resolution
MW310-13	0-13mm	Flat	0.01mm
MW310-13R	0-13mm	Spherical	0.01mm

Small Micrometer Head 310 Series

Features

Standard: Factory Standard

- Spindle diameter 6.5mm
- Universal micrometer head for X-Y stages or other purposes
- Satin chrome finished body
- Laser engraved graduations



SMALL MICROMETER HEAD

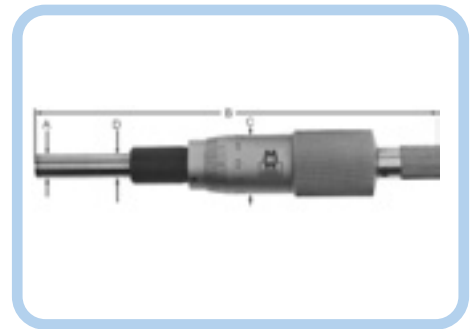
Code No	Range	Measuring face	Resolution
MW310-15	0-15mm	Flat	0.01mm
MW310-15R	0-15mm	Spherical	0.01mm

Standard Micrometer Head 310 Series

Features

Standard: Factory Standard

- Universal micrometer head for X-Y stages or other purposes
- Satin chrome finished body
- With constant force ratchet stop
- Laser engraved graduations



STANDARD MICROMETER HEAD

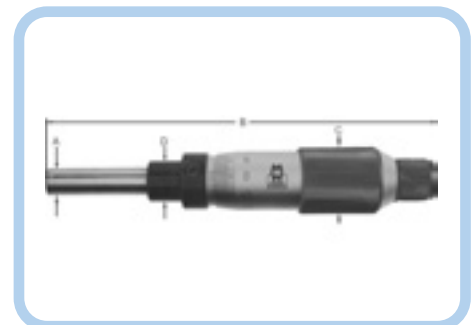
Code No	Range	Measuring face	Resolution
MW310-25	0-25mm	Flat	0.01mm
MW310-25B	0-25mm	Spherical	0.01mm

Standard Micrometer Head 311 Series

Features

Standard: Factory Standard

- Universal micrometer head for X-Y stages or other purposes
- Satin chrome finished body
- With constant force ratchet friction thimble
- Laser engraved graduations



STANDARD MICROMETER HEAD

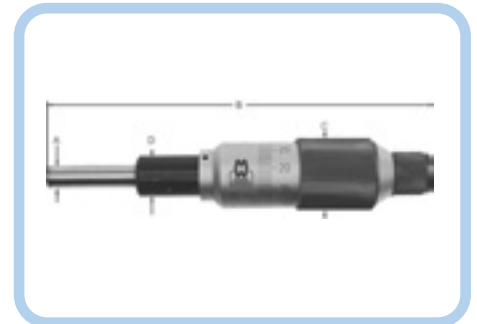
Code No	Range	Measuring face	Resolution
MW311-25A	0-25mm	Flat	0.01mm
MW311-25B	0-25mm	Spherical	0.01mm
MW311-50A	0-50mm	Flat	0.01mm
MW311-50B	0-50mm	Spherical	0.01mm

Parallax Free Micrometer Head 314 Series

Features

Standard: Factory Standard

- High micrometer head for X-Y stages or other purposes
- Both spindle and body are on the same level for error free reading
- Satin chrome finished body
- With constant force ratchet stop
- Laser engraved graduations



PARALLAX FREE MICROMETER HEAD

Code No	Range	Resolution
MW314-25	0-25mm	0.01mm

Micrometer Stand 279 Series

Features

- Designed for micrometers up to 100mm
- Painted cast iron base with plastic covered clamping jaws
- Angle adjustable



MICROMETER STAND

Code No	Description
MW279-01A	Stand for micrometers up to 100mm

Dial Test Indicator

Features

Standard: DIN2270

- Automatic reversal of measuring direction
- High precision fully jewelled bearings
- Rotating dial
- Two dovetail clamps
- Carbide points
- Long range - twice the range of most indicators (422 series only)



420 Series



421 Series



422 Series

DIAL TEST INDICATOR 420 SERIES

Code No	Range	Graduation	Dial Reading	Dial Diameter	Dial Colour	Feeler Length
MW420-03	0.8mm	0.01mm	0-40-0	25mm	white	12mm
MW420-03I	0.030"	0.0005"	0-15-0	1"	white	1/2"
MW420-04	0.8mm	0.01mm	0-40-0	37mm	white	12mm
MW420-04I	0.030"	0.0005"	0-15-0	1 1/2"	white	1/2"

DIAL TEST INDICATOR 421 SERIES

Code No	Range	Graduation	Dial Reading	Dial Diameter	Dial Colour	Feeler Length
MW421-01	0.2mm	0.002mm	0-100-0	25mm	white	12mm
MW421-01I	0.008"	0.0001"	0-4-0	1"	white	1/2"
MW421-02	0.2mm	0.002mm	0-100-0	37mm	white	12mm
MW421-02I	0.008"	0.0001"	0-4-0	1 1/2"	white	1/2"

DIAL TEST INDICATOR 422 SERIES

Code No	Range	Graduation	Dial Reading	Dial Diameter	Dial Colour	Feeler Length
MW422-01	1.6mm	0.01mm	0-40-0	37mm	white	12mm
MW422-01I	0.060"	0.0005"	0-15-0	1 1/2"	white	1/2"

Dial Test Indicator Accessories



DIAL TEST INDICATORS: ACCESSORIES

Code No	Description
MW-Z400/10	Universal Holder
MW-Z400/12	Contact point 12mm length, 1 mm steel ball
MW-Z400/13	Contact point 12mm length, 2 mm carbide ball
MW-Z400/14	Contact point 12mm length, 3mm carbide ball
MW-Z400/16	Contact point 1/2" length, 0.040" steel ball
MW-Z400/17	Contact point 1/2" length, 0.080" carbide ball
MW-Z400/18	Contact point 1/2" length, 0.120" carbide ball
MW-Z400/20	Dovetail stem 4mm clamping diameter
MW-Z400/22	Dovetail stem 8mm clamping diameter

Dial Indicator 400 Series

MW400-02



MW400-03



MW400-04



MW400-05



MW400-06B



MW400-08



MW400-09



MWDIP223M



Features

Standard: DIN 878

- Satin-chromed body
- With Tungsten carbide measuring tip
- With double dial indicator for measuring mm stroke
- Shockproof
- Micron versions are jewelled
- Adjustable scale with stop screw
- Some models offer tolerance indicators, see picture
- 400-03 features remote operation control by cable plunger
- Packed in foam box

DIAL INDICATOR

Code No	Range	Resolution	Diameter
MW400-01	0-1mm	0.001mm	58mm/flat
MW400-02	0-1mm	0.001mm	58mm/ear
MW400-03	0-3mm	0.01mm	42mm/ear
MW400-04	0-5mm	0.01mm	42mm/ear
MW400-05	0-10mm	0.01mm	58mm/flat
MW400-06	0-10mm	0.01mm	58mm/ear
MW400-06B	0-10mm	0.01mm	54mm/waterproof
MW400-07	0-10mm	0.1mm	54mm/ear
MW400-08	0-30mm	0.01mm	58mm/ear
MW400-09	0-50mm	0.01mm	58mm/ear
MWDIP223M	0-10mm	0.01mm	58mm/flat

Digitronic Indicator 405 Series

Features

- Direct Inch / Metric conversion
- 58mm dial face
- Lugback and 8mm stem mountings
- Resolution 0.01m/0.0005"
- Absolute / Incremental reading
- Floating Zero



DIGITRONIC INDICATOR

Code No	Range	Accuracy
MW405-04DB	0 - 12.7mm / 0.5"	0.02mm/0.0008"
MW405-06DB	0 - 25.0mm / 1.0"	0.03mm/0.0012"

Digitronic Indicator 410 Series

Features

- Functions include Tolerance and Min/Max
- Direct Inch / Metric conversion
- Lug back and 8mm stem mounting
- Resolution 0.001m/0.00005"
- Absolute / Incremental reading
- Floating Zero



DIGITRONIC INDICATOR

Code No	Range	Accuracy
MW410-02DF	0 - 12.7mm / 0.5"	0.008mm/0.0003"

Lifting Type Thickness Gauge 455 Series



MW455-25



MW455-15

Features

Standard: Factory Standard

- For quick measurement of thickness
- Dial indicator for accurate value reading
- Parallelism of the measuring surfaces 0.004mm

LIFTING TYPE THICKNESS GAUGE

Code No	Range	Throat depth (A)	Resolution
MW455-15	0-10mm	0-10mm	0.01mm
MW455-25	0-10mm	0-30mm	0.01mm
MW455-35	0-10mm	0-120mm	0.01mm

Lifting Type Digitronic Thickness Gauge 455 Series

Features

Standard: Factory Standard

- For quick measurement of thickness
- Features 'easy to read' large 7.5mm character height, digital display
- Modern design
- 'Soft keys' for maximum operating comfort
- Long life guaranteed
- Functions: mm/inch conversion, on/off, zero-setting, battery low indication
- Parallelism of the measuring surfaces <0.004mm



LIFTING TYPE DIGITRONIC THICKNESS GAUGE

Code No	Range	Throat depth (A)	Resolution
MW455-15D	0-10mm	0-30mm	0.01mm
MW455-25D	0-10mm	0-120mm	0.01mm

Snapcal 461 Series

Features

- Spring-loaded travel
- Inch/mm conversion
- Wide faced flat jaw for easy positioning
- Hardened stainless steel construction
- Supplied in rugged holster



SNAPCAL

Code No	Capacity	Resolution	Accuracy
MW461-01D	0-30mm/0-1.25"	0.01mm/0.0005"	+/-0.02mm/0.001"

Push Type Digitronic Thickness Gauge 450 Series

Features

Standard: Factory Standard

- For quick measurement of sheet material thickness
- Features 'easy to read' large 7.5mm character height, digital display
- Modern design
- 'Soft keys' for maximum operating comfort
- Long life guaranteed
- Functions: mm/inch conversion, on/off, zero-setting, battery low indication
- Parallelism of the measuring surfaces 0.004mm



PUSH TYPE DIGITRONIC THICKNESS GAUGE

Code No	Range	Resolution
MW450-15D	0-15mm / 0-0.6"	0.01mm / 0.001"
MW450-25D	0-25mm / 0-1"	0.01mm / 0.001"

Magnetic Indicator Stand 470 Series

Features

Standard: Factory Standard

- Basic type
- With powerful on/off magnetic base
- Magnetic force 80Kg / 175 LBS
- Universal model which can be used for indicators with or without "lug" on back plate
- Accepts dial test indicators, digital indicators and normal indicators
- Extra rigid



MAGNETIC INDICATOR STAND

Code No	Description	Remarks
MW470-01	ON/OFF Magnetic	-

Magnetic Indicator Stand 475 Series

Features

Standard: Factory Standard

- Features fine adjustment
- With powerful on/off magnetic base
- Magnetic force 80Kg / 175 LBS
- Universal model which can be used for indicators with or without "lug" on back plate
- Accepts dial test indicators, digital indicators and normal indicators
- Extra rigid



MAGNETIC INDICATOR STAND

Code No	Description	Remarks
MW475-01	ON/OFF Magnetic	Fine adjustment

Snake Stand 496 Series

Features

Standard: Factory Standard

- Corrosion resistant chrome plated flex arm
- Magnetic force 40kg / 85 lbs
- Holds rigidly in almost any position
- V -base for mounting on rounded surfaces



Snake Stand

Code No	Description
MW496-01	Snake Stand

Hydraulic Central Locking Indicator Stand 485 Series

Features

Standard: Factory Standard

- Features a unique hydraulic central lock for all arms and swivel positions
- Super solid model
- With fine adjustment
- With powerful on/off magnetic base
- Magnetic force 80Kg / 175 LBS
- Universal model which can be used for indicators with or without "lug" on back plate
- Accepts dial test indicators, digital indicators and normal indicators
- Dovetail groove for clamping a dial test indicator
- Super rigid



Hydraulic Central Locking Indicator Stand

Code No	Description	Remarks
MW485-01	ON/OFF Magnetic	Hydraulic lock dovetail groove

Articulating Magnetic Base 477 Series

Features

- Versatile magnetic base that can be adjusted in almost unlimited ways
- Fine adjustment
- 30kg clamp force
- V-slotted base



ARTICULATING MAGNETIC BASE

Code No	Description
MW477-01	Articulating arm magnetic base

Mini Magnetic Base 497 Series

Features

- 2 universal ball sockets
- Microfine adjustment screw
- Dovetail mounting
- Chuck adapter



MINI MAGNETIC BASE

Code No	Description
MW497-01	Mini mag base
MW497-SET1	Mini mag base with MW420-04 DTI

Magnetic Base Sets



MAGNETIC BASE SETS

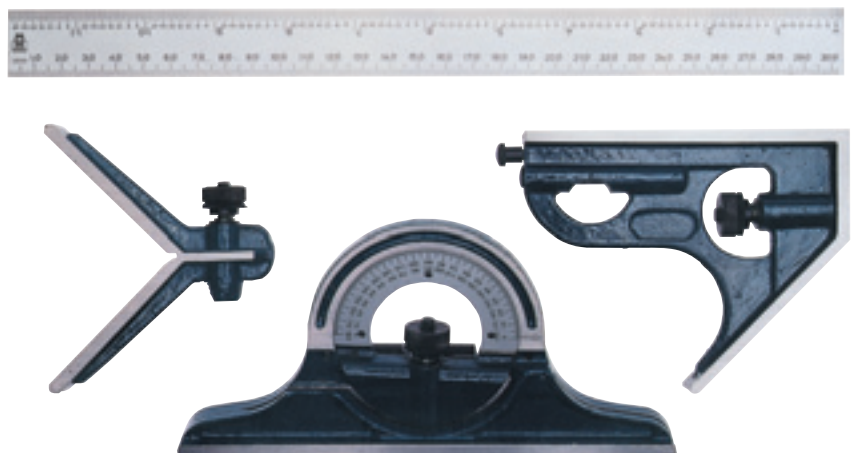
Code No	Description
MW496-SET1	Snake stand with MW405-06DB
MW477-SET1	Articulating magnetic base with MW405-06DB

Combination Set 520 Series

Features

Standard: Factory Standard

- Three measuring heads are attached to the stainless steel ruler, allowing versatile measurements on various types of work pieces
- Square head, protactor head and centrehead
- For various measuring and marking applications
- Hardened and ground slide ways
- Stainless steel rule with engraved graduations



COMBINATION SET

Code No	Range	Items in set
MW520-01	180 °	4

* Metric and inch scale rule

Traditional Precision Combination Set 300 Series



Features

- Fully hardened and tempered precision rules with deeply etched graduations on both sides for ease of reading and long life
- Fully hardened and ground datum faces to resist wear
- Centrally mounted protractor vial allows unrestricted viewing
- Protractor has full 360° scale plate, graduated 0 - 180° - 0
- Satin chrome scale plate on protractor
- Unique rule clamp allows positive location and clamping
- Square head offers the following fixed angles: 15°, 30°, 45°, 60°, 75° & 90°
- Centre head offers a fixed 90° angle, for finding the centre of round bar stock up to 120mm diameter
- Clipped corner on rule to maximise capability

METRIC PRECISION COMBINATION SETS & RULES

Item	Details	Code No
Precision Combination Set	Full set including 300mm rule (graduated both sides), Protractor head, Square head and Centre head	MWCSM300
Rule, 300mm	mm and 0.5mm on both sides; numbered every 10mm	MWCSR300
Rule, 600mm	mm and 0.5mm on both sides; numbered every 10mm	MWCSR600

METRIC / IMPERIAL PRECISION COMBINATION SETS & RULES

Precision Combination Set	Full set inc. 300mm/12" rule, Protractor head, Square head & Centre head	MWCSME12
Rule, 300mm / 12"	Metric graduations: in 0.5mm, numbered every 10mm. Imperial graduations: 32nds and 64ths numbered every 1/8"	MWCSRME12
Rule, 600mm / 24"	Metric graduations: in 0.5mm, numbered every 10mm. Imperial graduations: 32nds and 64ths numbered every 1/8"	MWCSRME24

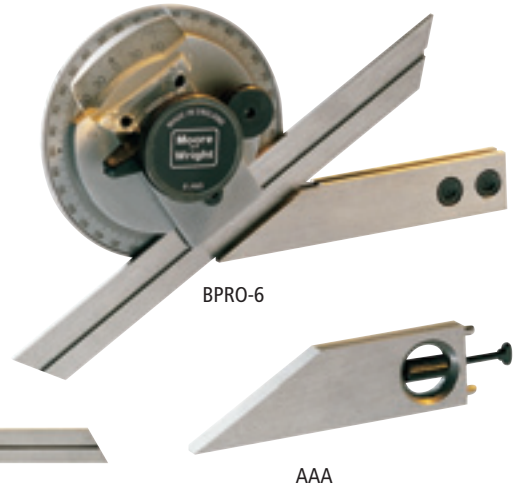
METRIC PRECISION COMBINATION SETS & RULES

Item	Details	Code No
Protractor head	Supplied as standard with CSM300 & CSME12 precision combination sets	MWCSPRO
Square head	Supplied as standard with CSM300 & CSME12 precision combination sets	MWCSSH
Centre head	Supplied as standard with CSM300 & CSME12 precision combination sets	MWCSCH
Replacement rule clamp screw	Supplied as standard with CSPRO, CSSH and CSCH	MWRPCSCS

Bevel Protractor BPRO Series

Features:

- Complies with BS1685
- Resolution of 5 arc minutes (1/12 degree)
- Fully hardened and ground stainless steel body
- Top mounted adjuster for fine setting whilst the unit is on a flat surface
- Choice of blade lengths
- Locking lever fitted for ease of blade insertion and positive clamping
- Bevelled blade ends to facilitate working in awkward corners
- Scale plate is graduated 0 - 90° - 0, in both directions through 360°
- Satin chrome plated scale for glare free readings
- Magnifying lens for clear easy reading of the flush scale, preventing parallax errors



BEVEL PROTRACTOR		
Item	Details	Code No
Basic Set	Protractor body and 150mm blade	MWBPRO-6
Full Set	Protractor body, 150mm & 300mm blades, and acute angle attachment	MWBPRO
300mm Blade	Supplied as standard with full set	MWBP12-RULE
Acute Angle	Attachment (Supplied as standard with full set)	MWAAA

Universal Bevel Protractor 500 Series

Features

Standard: Factory Standard

- Made of high quality hardened and ground stainless steel
- High precision satin chromed scale
- Minimum reading 5 minutes
- Magnifying glass for easy reading
- With fine adjustment and height gauge attachment
- 300mm / 12" and 150mm / 6" rule
- Packed as set in plastic box



UNIVERSAL BEVEL PROTRACTOR	
Code No	Range
MW500-01	360 °

Indicator Bevel Protractor 510 Series

Features

Standard: Factory Standard

- Features high quality indicator
- Made of high quality hardened and ground stainless steel
- High precision satin chromed scale
- Minimum reading 5 minutes
- Magnifying glass for easy reading
- With fine adjustment and height gauge attachment
- 300mm / 12" rule and 150mm / 6" rule
- Packed as set in plastic box



INDICATOR BEVEL PROTRACTOR

Code No	Range
MW510-01	360°

Digitronic Protractor 500 Series

Features

- 360° measuring range (4 x 90°)
- Manufactured from stainless steel
- Displays in deg/min/sec and decimal
- Resolution 30"
- Accuracy +/- 5'
- Fine adjustment
- Supplied with 150mm, 200mm and 300mm blades
- Supplied with acute angle attachment
- Battery CR2032



DIGITRONIC PROTRACTOR

Code No	Description
MW500-01D	Digital Protractor 0-360°

ELS Engineers Level

Features

- Main vial sensitivity of 1 minute
- Each level is fitted with a main, cross and plumb vial
- Main vial protected by rotating shroud
- Vial solution maintains colour and fluidity under all workshop conditions
- Precision ground cast base with vee groove for location on cylindrical work



MWELS ENGINEERS LEVEL

Code No	Base Length	Resolution
MWELS	165x34x46mm	0.3mm / m

ELM Engineers Level

Features

- Main vial sensitivity of 1 minute
- Each level is fitted with a main, cross and plumb vial
- Main vial protected by rotating shroud
- Vial solution maintains colour and fluidity under all workshop conditions
- Precision ground cast base with vee groove for location on cylindrical work



MWELM ENGINEERS LEVEL

Code No	Base Length	Resolution
MWELM	310x36x58mm	0.3mm / m

Mini Level

Features

- Ultra compact dimensions and a single vial
- Machined from a solid block of carbon steel
- Supplied on retail card



METRIC / IMPERIAL MINI LEVEL

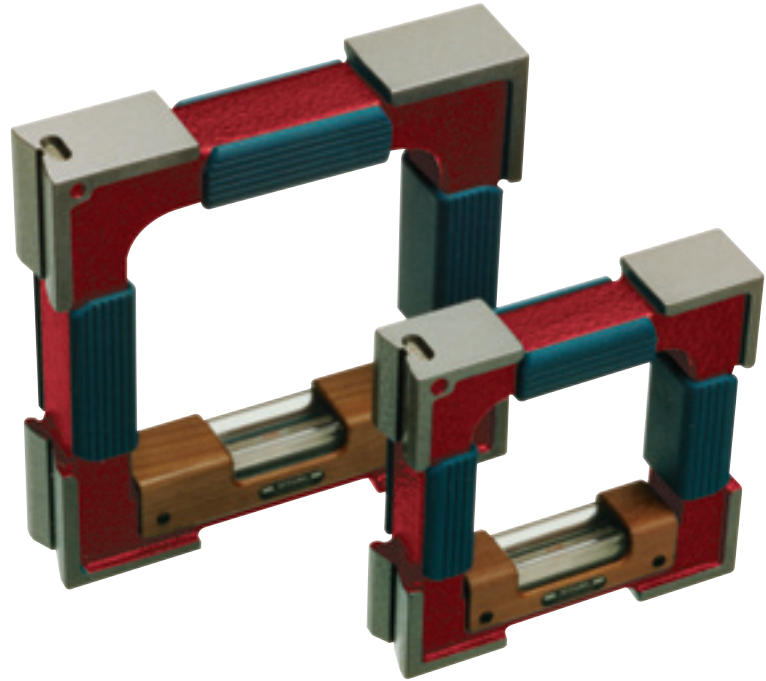
Length	Width	Height	Accuracy	Code No	Qty
65mm	20mm	38mm	± 1°	MWELT-001XR	1
2.6"	0.79"	1.5"			

ELF Frame Level

Features

Standard: DIN 877

- With 2 prismatic and 2 flat base surfaces for checking horizontal and vertical surfaces, plane or cylindrical



MWELF FRAME LEVEL

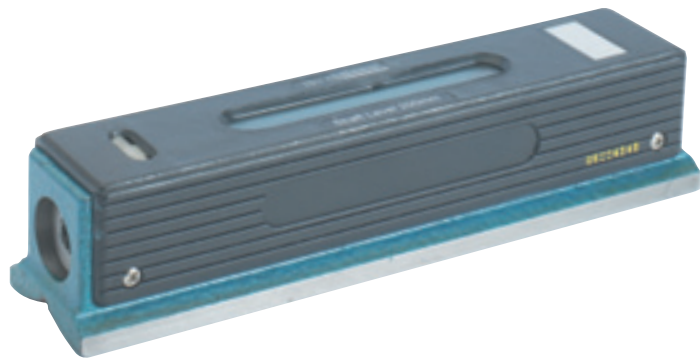
Code No	Base Length	Sensitivity
MWELF001M	150mm	0.05mm/m
MWELF002M	200mm	0.05mm/m

Engineers Level 550 Series

Features

Standard: Factory Standard

- With four ground measuring faces
- Features zero-point adjustment
- With V-slot on all sides
- Made of cast iron, solid and rigid construction
- With sub-level tube



ENGINEERS LEVEL

Code No	Base Length	Sensitivity
MW550-03	200mm	0.02mm/m

Hydraulic Angle Meter 530 Series

Features

Standard: Factory Standard

- Unique in the world market and awarded by the "Salon des inventions et des techniques" at Geneva, Switzerland
- The aluminium housing encloses a plumb-weight indicator which always points in the vertical direction
- The container with scale can be moved 0-360°
- The bottom of the aluminium housing features a powerful magnetic base
- Ideal for setting work pieces in machine tools at any angle
- Reliable and easy to use



HYDRAULIC ANGLE METER

Code No	Diameter	Dimensions	Size	Accuracy
MW530-01	100mm / 4"	133x140x20 mm	360°	0.05°
MW530-02	60mm / 2.5"	80x93x15 mm	360°	0.083°

Digital Mini-Mag Level 570 Series

Features

- Measuring range 360° (4 x 90°)
- Embedded magnets on two sides
- Resolution 0.05°
- Accuracy +/- 0.2°
- Standard 9V battery
- Dimensions: L60mm x H60mm x W35mm



METRIC / IMPERIAL MINI-MAG LEVEL

Code No	Description
MW570-01	Mini-Mag Level

Steel Gauge Blocks 700 Series



Features

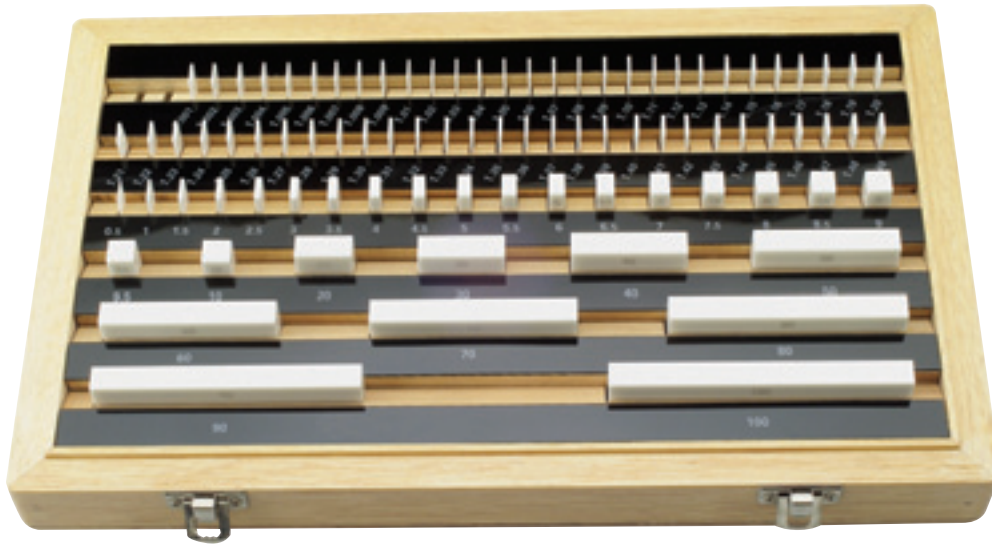
Standard: DIN 861

- Made from high quality stress relieved alloy steel
- Hardened to HV820 (HRC65)
- Excellent rigidity
- Size and serial number are engraved on each individual gauge block
- Available in 3 grades:
 - Grade 0 for calibration
 - Grade 1 for inspection
 - Grade 2 for workshop
- All sets have a MOORE & WRIGHT certificate
- All sets can be issued with a UKAS certificate at extra cost

STEEL GAUGE BLOCKS

Code No	Grade	No. blocks	Nominal size	Quantity	Step (mm)
MW700-01	0	103	1.005	1	-
MW700-02	1		1.01 - 1.49	49	0.01
MW700-03	2		0.50 - 24.50	49	0.5
			25.0 - 100.0	4	25
MW700-04	0	87	1.001 - 1.009	9	0.001
MW700-05	1		1.01 - 1.49	49	0.01
MW700-06	2		0.50 - 9.50	19	0.5
			10.0 - 100.0	10	10
Code No	Grade	No. blocks	Nominal size	Quantity	Step (mm)
MW700-07	0	47	1.005	1	-
MW700-08	1		1.01 - 1.09	9	0.01
MW700-09	2		1.10 - 1.90	9	0.1
			1.0 - 24.0	24	1
			25.0 - 100.0	4	25
MW700-10	0	32	1.005	1	-
MW700-11	1		1.01 - 1.09	9	0.01
MW700-12	2		1.10 - 1.90	9	0.1
			1.0 - 9.0	9	1
			10.0 - 30.0	3	10
			60.0	1	-

Ceramic Gauge Blocks 705 Series



Features

Standard: DIN 861

- Made from very tough Zirconia Ceramic with high precision
- Service life is up to 10 times that of steel
- Hardened to HV1350
- Thermal expansion $11.5 \times 10^{-6}/K$
- No requirements for anti corrosion treatment
- No effects resulting from hand contact
- Antimagnetic, anti-static, and non-conductive properties
- Excellent wringability due to microlite material
- Every gauge block has its own serial number

- Available in 2 grades:
 - Grade 0 for calibration
 - Grade 1 for inspection
- All sets have a MOORE & WRIGHT certificate
- All sets can be issued with a UKAS certificate at extra cost

CERAMIC GAUGE BLOCKS

Code No	Grade	No. blocks	Nominal size	Quantity	Step (mm)
MW705-01	0	103	1.005	1	-
MW705-02	1		1.01 - 1.49	49	0.01
			0.50 - 24.50	49	0.5
			25.0 - 100.0	4	25
MW705-04	0	87	1.001 - 1.009	9	0.001
MW705-05	1		1.01 - 1.49	49	0.01
			0.50 - 9.50	19	0.5
			10.0 - 100.0	10	10
MW705-07	0	47	1.005	1	-
MW705-08	1		1.01 - 1.09	9	0.01
			1.10 - 1.90	9	0.1
			1.0 - 24.0	24	1
			25.0 - 100.0	4	25
MW705-10	0	32	1.005	1	-
MW705-11	1		1.01 - 1.09	9	0.01
			1.10 - 1.90	9	0.1
			1.0 - 9.0	9	1
			10.0 - 30.0	3	10
			60.0	1	-

Cast-Iron Surface Plate 800 Series



Features

Standard: DIN 876

- Heavy construction
- Made of high quality cast iron

CAST-IRON SURFACE PLATE

Code No. Grade 1	Dimensions
MW800-01	300x300mm
MW800-03	300x400mm
MW800-05	400x500mm
MW800-07	500x500mm
MW800-09	500x600mm
MW800-11	500x700mm
MW800-13	600x800mm
MW800-15	800x800mm
MW800-17	1000x1000mm

Other sizes available upon request.

Black Diabas Granite Surface Plate 810 Series



Features

Standard: DIN 876

- Made from world's best blue/black diabas granite
- Absolutely stress free due to millions of years natural ageing
- Hard as steel, non conducting and rust-free, easy to clean
- Heavy and durable
- Easy to repair when damaged
- All kinds of stands simple or deluxe can be supplied up on request

BLACK DIABAS GRANITE SURFACE PLATE

Plate Code No	Sizes	Grade	Stand Code No
MW810-01	400x250x70mm	00	MW811-01
MW810-02	400x400x100mm	00	MW811-02
MW810-03	630x400x100mm	00	MW811-03
MW810-04	630x630x100mm	00	MW811-04
MW810-05	1000x630x150mm	00	MW811-05
MW810-06	1000x1000x150mm	00	MW811-06
MW810-07	1600x1000x200mm	00	MW811-07
MW810-08	2000x1000x250mm	00	MW811-08
MW810-09	2000x1600x300mm	00	MW811-09
MW810-10	3000x2000x500mm	00	MW811-10
MW810-11	4000x2000x500mm	00	MW811-11

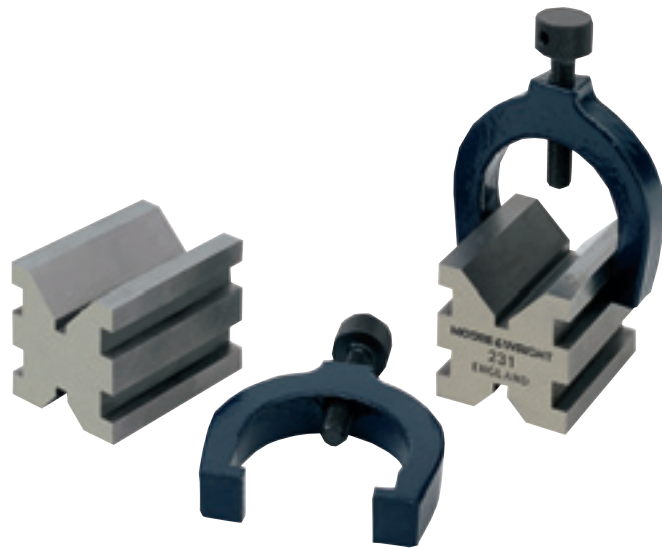
Other sizes can be supplied on special request!

Vee Blocks & Clamps 231 Series

Features

Standard: BS3731, Grade B

- Manufactured from case hardened and ground mild steel
- Supplied in matched pairs only
- Two malleable iron clamps with steel screws supplied with each pair of blocks



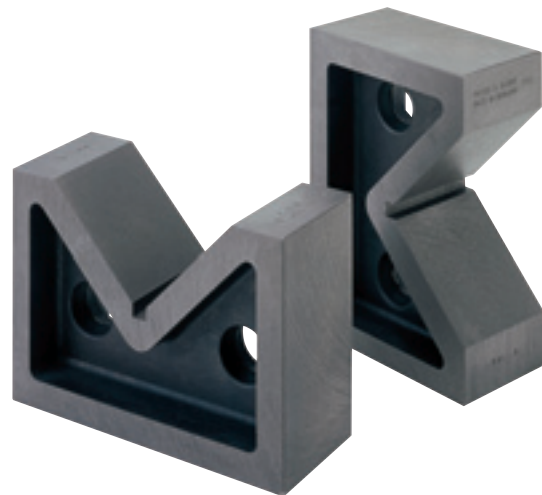
VEE BLOCKS & CLAMPS

Code No	Capacity	Size	Accuracy
MW231	25mm	32x42x32mm	0.01mm

Vee Blocks, Standard Pairs 200 Series

Features

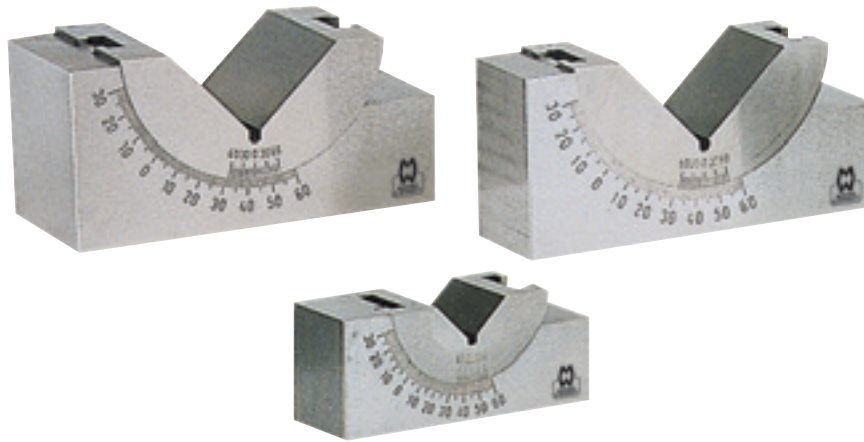
- Supplied in matched and numbered pairs only
- Manufactured from close grained cast iron
- Ground faces



VEE BLOCKS, STANDARD PAIRS

Code No	Capacity	Width	Length	Height	Accuracy
MW211	63mm	80mm	35mm	60mm	0.04mm
MW212	80mm	100mm	40mm	75mm	0.04mm
MW213	100mm	130mm	45mm	90mm	0.05mm
MW214	125mm	150mm	50mm	100mm	0.05mm
MW215	160mm	180mm	60mm	130mm	0.06mm
MW216	200mm	220mm	70mm	160mm	0.06mm

Adjustable/Angle Vee-Blocks 830 Series



Features

Standard: Factory Standard

- High precision model adjustable from 0 up to +60° and -30°
- Accuracy of angle 0.01°
- Made of hardened micro-lapped chrome-steel
- Robust design which can be used on workshop machinery or for measuring purposes
- 3 different sizes

ADJUSTABLE/ANGLE VEE-BLOCKS

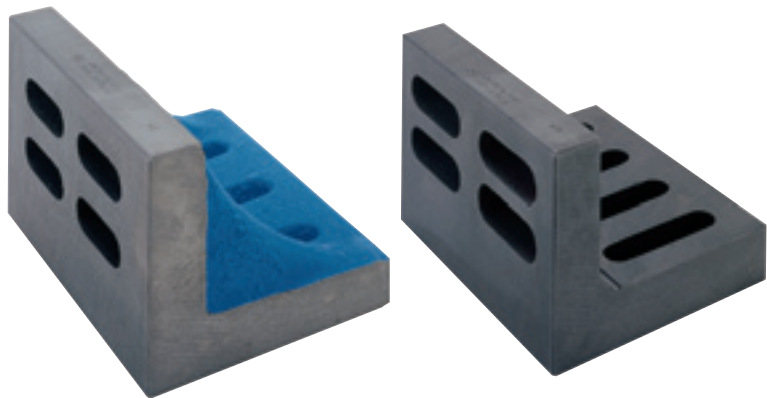
Code No	Dimensions	Weight
MW830-01	32x25x75mm	0.5Kg
MW830-02	47x30x102mm	1.0Kg
MW830-03	47x46x102mm	1.3Kg

Angle Plates, Webbed & Open End E Series

Features

Standard: BS5535, Grade B

- Manufactured from close grained cast iron
- Heat stabilised to prevent distortion
- Ground to tolerance on all four edges and two faces



ANGLE PLATES, WEBBED & OPEN END

Code No	Type	Length	Width	Height	Code No	Type	Length	Width	Height
MWE200	Webbed	100mm	60mm	80mm	MWE301	Open end	125mm	80mm	100mm
MWE201	Webbed	125mm	80mm	100mm	MWE302	Open end	160mm	100mm	125mm
MWE202	Webbed	160mm	100mm	125mm	MWE304	Open end	200mm	125mm	160mm
MWE204	Webbed	200mm	125mm	160mm	MWE306	Open end	250mm	160mm	200mm
MWE206	Webbed	250mm	160mm	200mm	MWE307	Open end	315mm	200mm	250mm
MWE207	Webbed	315mm	200mm	250mm					

Engineers Straight Edge



Standard Features Include:

- Manufactured from high quality hardened steel
- Available with either square or one 30° bevelled edge
- Finish ground on both sides and edges
- Clearly marked supporting points on all sizes 900mm, and over

Light Section Straight Edges:

- Manufactured to BS5204 Grade B
- Suitable for general workshop use

Heavy Section features:

- Manufactured to BS5204 Grade A
- Suitable for precision, inspection and workshop use

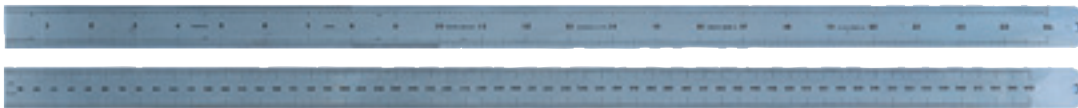
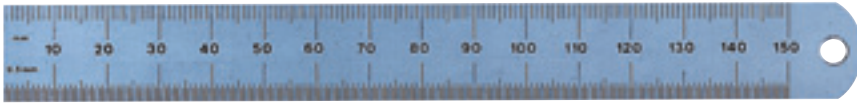
METRIC / IMPERIAL LIGHT SECTION (GRADE B) STRAIGHT EDGES

Length	Width	Thickness	Square Edge	Bevel Edge
305mm / 12"	32mm / 1 1/4"	4.76mm / 3/16"	MW310-12	MW310B-12
610mm / 24"	41mm / 1 5/8"	6.35mm / 1/4"	MW310-24	MW310B-24
914mm / 36"	51mm / 2"	7.94mm / 5/16"	MW310-36	MW310B-36
1219mm / 48"	64mm / 2 1/2"	9.53mm / 3/8"	MW310-48	MW310B-48
1524mm / 60"	76mm / 3"	11.11mm / 7/16"	MW310-60	MW310B-60

METRIC HEAVY SECTION (GRADE A) STRAIGHT EDGES

Length	Width	Thickness	Square Edge	Bevel Edge
305mm / 12"	41mm / 1 5/8"	6.35mm / 1/4"	MW312-12	MW312B-12
610mm / 24"	51mm / 2"	7.94mm / 5/16"	MW312-24	MW312B-24
914mm / 36"	64mm / 2 1/2"	9.53mm / 3/8"	MW312-36	MW312B-36
1219mm / 48"	76mm / 3"	12.70mm / 1/2"	MW312-48	MW312B-48

Engineers Rule MWER Series



Features

- Made from fine quality steel which has been hardened and tempered to provide the ideal balance between flexibility and durability
- 'D' end with hanging hole
- Satin chrome anti-glare finish
- Permanent black high definition scale markings

METRIC SCALES ONLY: TWO SIDES, FOUR EDGES

Rule length	Rule width	Rule thick	Front Face Graduations	Rear Face Graduations	Code No
150mm	19.0mm	0.4mm	0.5mm, 1.0mm	0.5mm, 1.0mm	MWER306F
300mm	25.0mm	1.0mm	0.5mm, 1.0mm	0.5mm, 1.0mm	MWER312

METRIC / IMPERIAL SCALES: TWO SIDES, FOUR EDGES

Rule length	Rule width	Rule thick	Front Face Graduations	Rear Face Graduations	Code No
150mm	19.0mm	0.4mm	1/16th, 1/32nd,	0.5mm, 1.0mm	MWER106F
/ 6"	12.5mm	0.4mm		0.5mm, 1.0mm	MWER206F
300mm	25.0mm	1.0mm	1/64th 1/10th, 1/20th, 1/50th	0.5mm, 1.0mm	MWER112
/ 12"	12.5mm	0.4mm		0.5mm, 1.0mm	MWER212
600mm	25.0mm	1.0mm	1/100th of an inch	0.5mm, 1.0mm	MWER424
/ 24"					

Engineers Square 400 Series

Features

Standard: BS939

- Workshop Grade B
- Precision ground blade and stock
- Blind rivetted construction
- Hardened and tempered blades



ENGINEERS SQUARE

Code No	Blade length	Approx. Stock length (inside face)
MW4003	75mm	49mm
MW4004	100mm	56mm
MW4006	150mm	82mm
MW4009	225mm	108mm
MW40012	300mm	139mm
MW40018	450mm	201mm

Precision Engineers Square 910 Series

Features

Standard: DIN 875

- Made of hardened stainless steel
- Precision ground and micro-lapped
- 2 knife-form sides with angle of 40°
- Packed individually in leather-look bag or wooden box



PRECISION ENGINEERS SQUARE

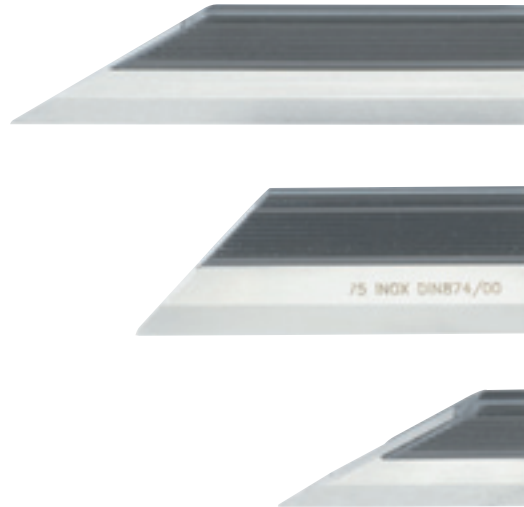
Code No	Sizes
MW910-01	40x30mm
MW910-02	50x40mm
MW910-03	75x50mm
MW910-04	100x70mm
MW910-05	150x100mm
MW910-06	200x130mm

Engineers Rule 900 Series

Features

Standard: DIN 874

- Made of hardened alloy steel
- Precision ground and micro-lapped
- Knife-form with angle of 30 degr.
- Packed individually in leather-look bag



ENGINEERS RULE

Code No	Length
MW900-01	50mm
MW900-02	75mm
MW900-03	100mm
MW900-04	125mm
MW900-05	150mm
MW900-06	200mm
MW900-07	300mm
MW900-08	400mm

Carbide Tipped Scriber

Features

- Pocket clip
- Pearl chrome finish
- Robust design



MWSCT-001XR



MWSCT-002R

CARBIDE TIPPED SCRIBER

Description	Code No	Pk Qty
Retail Pack, replaceable carbide tipped scriber, supplied with spare tip	MWSCT-001XR	1
Retail Pack, fixed carbide tipped scriber	MWSCT-002R	1

Sliding 'T' Square

Features

- Working surfaces of the stock are ground
- The blade is hardened, tempered and has a satin chrome finish



SLIDING 'T' SQUARE

Code No	Rule Length	Rule Graduations	Stock Length
MWDS71041	100mm	1mm, 0.5m	60mm
MWDS71051	150mm	1mm, 0.5m	60mm

Surface Gauge

Universal type:

- Designed for precise marking out operations
- Hardened and tempered steel base, ground on one end and bottom face
- Vee groove for locating on cylindrical workpieces
- Two retractable locating pins
- Radial grooves in the side facilitate comfortable handling
- One handed fine adjustment
- Supplied with two interchangeable pillars and one 4mm diameter scriber

Standard type:

- Designed for marking out and general purpose use
- Cast base, ground at one end and on the bottom face
- Vee groove for locating on cylindrical workpieces
- Two retractable locating pins
- One handed fine adjustment over a limited range
- Supplied with one 4mm diameter scriber

Fixed type:

- Budget surface gauge designed for general purpose use
- Cast cylindrical base
- Fixed pillar
- Supplied with one 4mm diameter scriber

Note: Surface gauges can be used for mounting dial test indicators with either a 4mm or 6.35mm (1/4") mounting spigot.



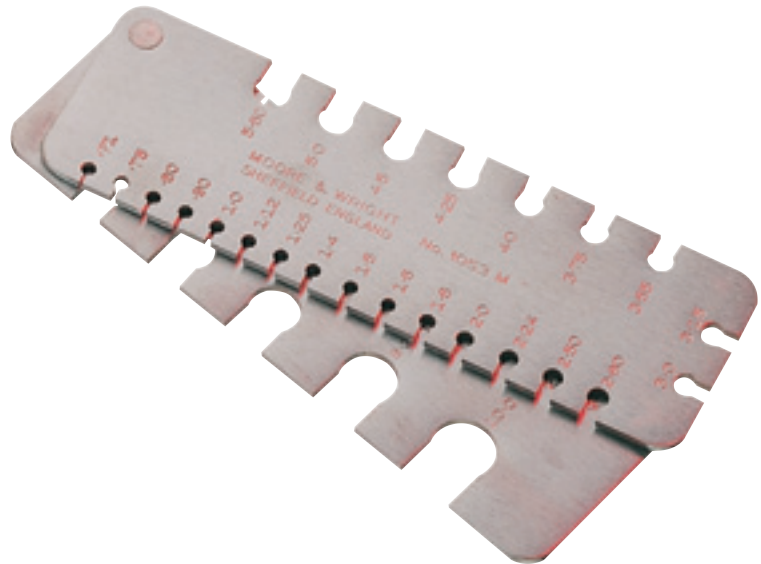
METRIC / IMPERIAL SURFACE GAUGE

Type	Base size	Pillar height	Scriber dia.	Code No
Universal	80 x 65mm	225mm & 300mm	4mm	MWE101B
	3 1/8 x 2 1/2"	9" & 12"	5/32"	
Universal	105 x 85mm	300mm & 450mm	4mm	MWE102B
	4 1/8 x 3 3/8"	12" & 18"	5/32"	
Standard	75 x 75mm	300mm	4mm	MWE106
	3 x 3"	12"	5/32"	
Fixed	68mm dia.	225mm	4mm	MWE107-9
	2 5/8" dia.	9"	5/32"	

Standard Wire Gauge

Features

- Two part space saving design, with corner pivot
- Marked with nominal size of each slot
- Made from high grade tool steel, with a brushed finish



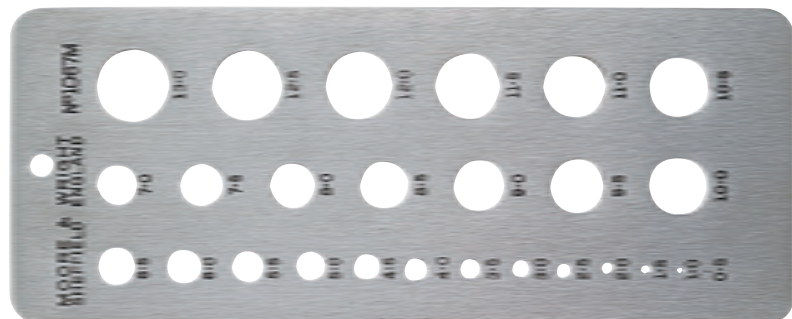
STANDARD WIRE GAUGE

Code No	No of slots	Range
MW1053M	40	0.2 - 10.0mm

Drill Gauge

Features

- Made from high grade tool steel, with a brushed finish
- Marked with nominal size of each hole



DRILL GAUGES

Code No	No of Holes	Range	Increments
MW1067M	26	0.5 - 13.0mm	0.5mm
MW1066M	96	0.5 - 10.0mm	0.1mm

Jenny (Hermaphrodite) Calipers



MW341



MW56



MW336-6

Features

Firm Joint Adjustable Point

- Manufactured from polished tool steel
- A large headed nut and screw assembly provides a firm and rigid friction joint, with no play
- The sizes listed are the effective leg length which is measured from the joint assembly
- Leg which holds the round adjustable hardened point is offset
- Model 341 has a locating spur on the straight leg

Note: Firm joint caliper capacities are generally 1/3 greater than the effective leg length

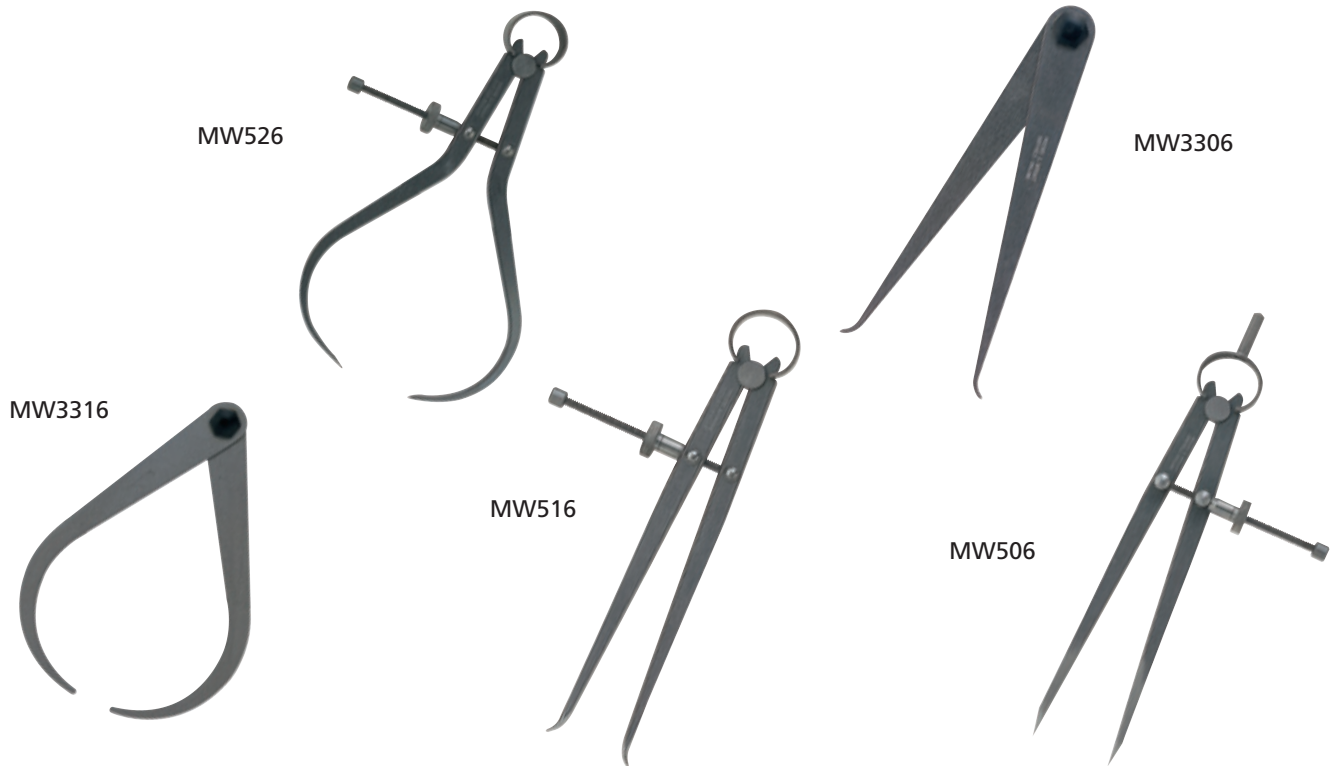
Spring Joint

- Manufactured from polished tool steel
- The marking leg is hardened to over 550Hv at the point
- Bow spring ensures uniform tension over working range
- Centrally mounted adjustment screw offers finer setting than firm joint type

METRIC / IMPERIAL JENNY CALIPERS

Size	Joint Type		Code No	Pk Qty
	Spring	Firm		
125mm / 5"	✗	✓	MW341	5
150mm / 6"	✗	✓	MW336-6	5
150mm / 6"	✓	✗	NW56	5

Inside and Outside Calipers



Standard: BS3123

Outside & Inside Calipers, Firm Joint:

- Manufactured from polished tool steel
- A large headed nut & screw assembly provides a firm & rigid friction joint, with no play
- The sizes listed are the effective leg length which is measured from the joint assembly

Note: Firm joint caliper capacities are generally 1/3 greater than the effective leg length

Outside Calipers, Spring Joint:

- Bow spring ensures uniform tension over working range
- Centrally mounted adjustment screw offers finer setting, than firm joint type

Inside Calipers, Spring Joint:

- Bow spring ensures uniform tension over working range
- Centrally mounted adjustment screw
- Manufactured from polished tool steel

Note: Firm joint caliper capacities are generally 1/3 greater than the effective leg length.

Spring Dividers:

- Manufactured from polished tool steel
- Points are hardened to over 550Hv
- Bow spring ensures uniform tension over working range
- Centrally mounted adjustment screw

Note: The nominal size is the distance between the centre of the roller and the working ends of the legs.

INSIDE AND OUTSIDE CALIPERS

Dividers & Inside / Outside Calipers: Spring Joint

Code No Inside	Code No Outside	Code No Dividers	Sizes mm
MW503	MW513	MW523	75
MW504	MW514	MW524	100
MW506	MW516	MW526	150
MW508	MW518	MW528	200
MW5010	MW5110	MW5210	250
MW5012	MW5112	MW5212	300

Inside Calipers: Firm Joint

Code No	Sizes mm
MW3306	150mm
MW3308	200mm
MW33012	300mm

Outside Calipers: Firm Joint

Code No	Sizes mm
MW3316	150mm
MW3318	200mm
MW33112	300mm
MW33118	450mm
MW33124	600mm

Precision Range Feeler Gauge Sets

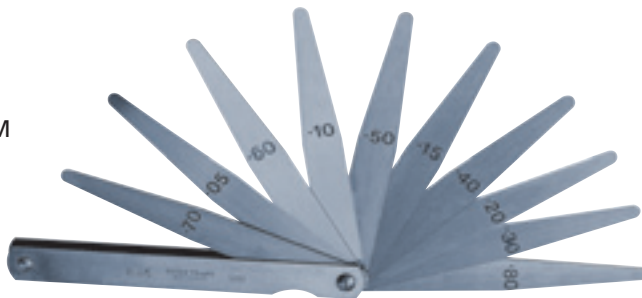
MW389M



MW387M



MW911M



Features

Precision Range:

Standard: DIN 2275

- All blades are hardened, tempered and polished
- Nominal thickness marked on each blade

Safe and Sure® Range:

- An economical range of feeler sets for general workshop use
- All blades are hardened, tempered and polished
- Nominal thickness marked on each blade

PRECISION RANGE

Code No	Length	No of Blades	Range	Width
MW387M	75mm	13	0.03-0.50mm	12.7mm
MW388M	100mm	13	0.03-0.50mm	12.7mm
MW389M	100mm	13	0.05-1.00mm	12.7mm
MW394M	150mm	13	0.05-1.00mm	12.7mm
MW398M	300mm	13	0.05-1.00mm	12.7mm
MW391M	75mm	11	0.05-0.80mm	12.7mm
MW393M	75mm	20	0.05-1.00mm	12.7mm
MW390M	100mm	20	0.05-1.00mm	12.7mm
MW395M	150mm	20	0.05-1.00mm	12.7mm
MW399M	300mm	20	0.05-1.00mm	12.7mm

SAFE AND SURE® RANGE

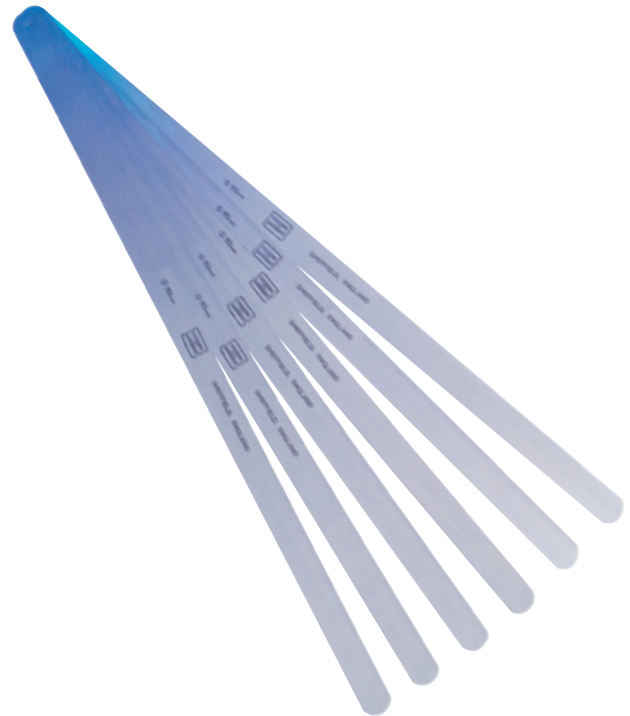
Code No	Length	No of Blades	Range	Width
MW912M	75mm	10	0.05-0.80mm	12.7mm
MW911M	100mm	10	0.05-0.80mm	12.7mm
MW1106M	150mm	10	0.05-0.80mm	12.7mm
MW1112M	300mm	10	0.05-0.80mm	12.7mm

Feeler Strip 126 Series

Features

Standard: DIN 2275

- Hardened, tempered and polished steel strip
- Nominal thickness marked on each strip
- Sold in packs of 10 only



FEELER STRIP			
x 0.01 mm	Length	Width	Code No
3	300mm	12.7mm	MW126M003
4	300mm	12.7mm	MW126M004
5	300mm	12.7mm	MW126M005
6	300mm	12.7mm	MW126M006
7	300mm	12.7mm	MW126M007
8	300mm	12.7mm	MW126M008
9	300mm	12.7mm	MW126M009
10	300mm	12.7mm	MW126M010
15	300mm	12.7mm	MW126M015
20	300mm	12.7mm	MW126M020
25	300mm	12.7mm	MW126M025
30	300mm	12.7mm	MW126M030
35	300mm	12.7mm	MW126M035
40	300mm	12.7mm	MW126M040
45	300mm	12.7mm	MW126M045
50	300mm	12.7mm	MW126M050
55	300mm	12.7mm	MW126M055
60	300mm	12.7mm	MW126M060

Feeler Strip Sets

Features

Standard: DIN 2275

- 20 Piece feeler strip set in wallet
- Hardened, tempered and polished steel strip
- Nominal thickness marked on each strip

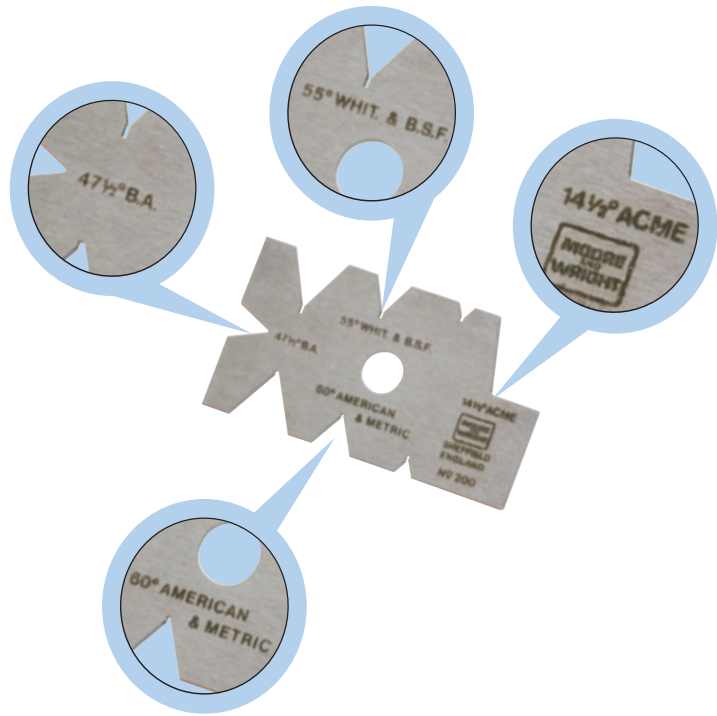


FEELER STRIP SETS				
Code No	No of Blades	Range	Length	Width
MWFS20M	20	0.03-1.0mm	150mm	12.7mm

Screw Cutting Gauges 200

Features

- Traditional Engineers' screw cutting gauge
- Suitable for most standard metric and imperial thread forms
- Accurately milled angles for precise evaluation of thread form



SCREW CUTTING GAUGES

Code No	Angle	Thread Form
MW200	60°	SI, ISO, US Std.
	55°	Whitworth
	47.5°	British Association (BA)
	14.5°	ACME

Radius Gauges 206M & 204M



Features

- Accurately milled steel blades
- Designed to check both internal and external radii
- Marked with nominal size on each blade
- Mounted either on a ring or in a steel sleeve



RADIUS GAUGES

Code No	Range of Radii	Increments	No of Blades	Type
MW204M	0.75 - 5mm	0.25mm	18	Ring
MW206M	0.75 - 5mm	0.25mm	18	Sleeve
MW204MA	5.5 - 13mm	0.5mm	16	Ring
MW206MA	5.5 - 13mm	0.5mm	16	Sleeve

Screw Pitch Gauges 800 Series



Features

- Accurately milled steel blades
- Designed to check both internal and external thread forms
- Marked with nominal size on each blade
- All blades fixed in a steel sleeve
- Screw cutting gauge included

SCREW PITCH GAUGES

Code No	Screw Pitch	No of Blades	Threads per mm	Screw Cutting Gauge included
MW801	S.I. Metric	30	0.25, 0.3, 0.35, 0.4, 0.45, 0.5, 0.55, 0.6, 0.65, 0.7, 0.75, 0.8, 0.85, 0.9, 1.0, 1.1, 1.2, 1.25, 1.3, 1.4, 1.5, 1.6, 1.7, 1.75, 1.8, 1.9, 2.0, 2.5, 3.0	60 degrees
MW809	ISO Metric	22	0.35, 0.4, 0.45, 0.5, 0.6, 0.7, 0.75, 0.8, 1.0, 1.25, 1.5, 1.75, 2.0, 2.5, 3.0, 3.5, 4.0, 4.5, 5.0, 5.5, 6.0	60 degrees
MW804	S.I. Metric & Whitworth	49	Metric: 0.4, 0.5, 0.7, 0.75, 0.8, 0.9, 1.0, 1.25, 1.50, 1.75, 2.0, 2.5, 3.0, 3.5, 4.0, 4.5, 5.0, 5.5, 6.0, 6.5, 7.0 Imperial: 4, 4.5, 5, 6, 7, 8, 9, 10, 11, 12, 13, 14, 16, 18, 19, 20, 22, 24, 25, 26, 28, 30, 32, 36, 40, 48, 60	60 degrees

Telescopic Gauges 315 Series

Features

- For quick inside measurement and determination of inside diameters
- Spring loaded plunger that expands in the bore or groove
- Satin chromed body
- With auto extension and direct locking
- Measuring faces are hardened and micro-lapped

- Range
- 8 - 12.7mm
 - 12.7 - 19mm
 - 19 - 32mm
 - 32 - 54mm
 - 54 - 90mm
 - 90 - 150mm



METRIC / IMPERIAL TELESCOPIC GAUGE SETS

Range	Quantity	Code No
8 - 150mm	6-pieces	MW315-01

INDIVIDUAL TELESCOPIC GAUGES

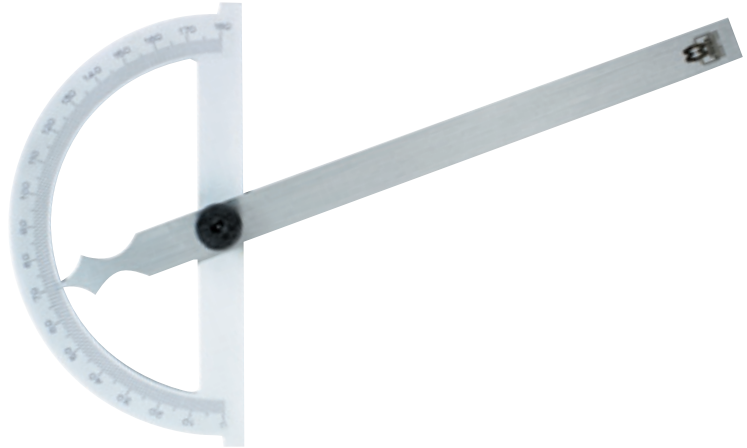
Code No	Range
MW315-011	8 - 12.7mm
MW315-012	12.7 - 19mm
MW315-013	19 - 32mm
MW315-014	32 - 54mm
MW315-015	54 - 90mm
MW315-016	90 - 150mm

Angle Meter 946 Series

Features

Standard: Factory Standard

- Made of tool steel
- Satin chromed, engraved scale
- Robust and durable



ANGLE METER

Code No	Length of ruler	Diameter of scale
MW946-01	120mm	80mm
MW946-02	150mm	120mm
MW946-03	200mm	150mm
MW946-04	300mm	200mm

Depth Gauge 43M & 44M

Depth Gauge:

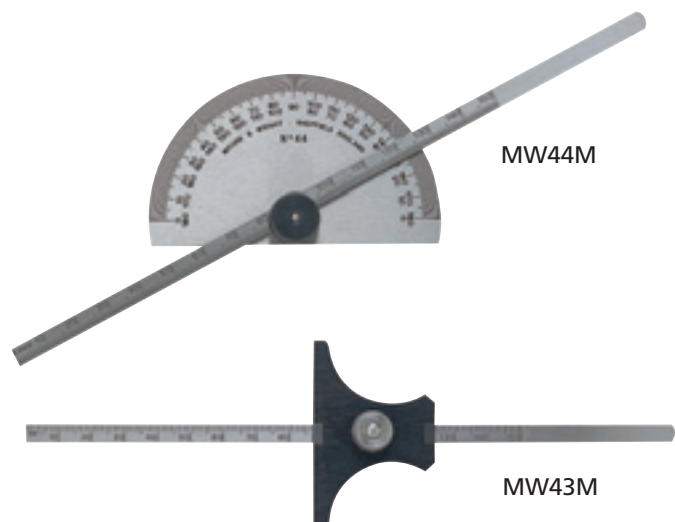
- Available with either reversible base or protractor
- Full range rule adjustment
- Readings can be fixed by means of a locknut
- Rules graduated on both sides

Reversible Base Type:

- Accurately ground top and bottom faces allow base to be reversed, for use in confined spaces

Protractor Type:

- Protractor plate is graduated 0° - 180° - 0° degrees
- Scale resolution 1/2 degree



DEPTH GAUGE

Code No	Type	Total length of blade	Rule width	Rule thickness	Front face graduations	Rear face graduations	Base Length
MW43M	Reversible Base	195mm	5.5mm	1.0mm	0.5, 1.0mm	1.0mm	18mm, 56mm
MW44M	Protractor	195mm	5.5mm	1.0mm	0.5, 1.0mm	1.0mm	79mm

Retail Packed Products

RETAIL PACKED PRODUCTS

Code No	Description
MW1243R	Feeler Gauge Set - Imperial, 3" x 10 blades, 1.5 - 25
MW12R	Feeler Gauge Set - Imperial, 3" x 26 blades, 1.5 - 25
MW132R	Feeler Gauge Set - Imperial, 4" x 26 blades, 1.5 - 25
MW492R	Feeler Gauge Set - Imperial, 3" x 15 blades, 1.5 - 25
MW493R	Feeler Gauge Set - Imperial, 4" x 15 blades, 1.5 - 25
MW911R	Feeler Gauge Set - Imperial, 4" x 10 blades, 1.5 - 25
MW912R	Feeler Gauge Set - Imperial, 3" x 10 blades, 1.5 - 25
MW387MR	Feeler Gauge Set - Metric, 75mm x 13 blades, 0.03 - 0.5
MW388MR	Feeler Gauge Set - Metric, 100mm x 13 blades, 0.03 - 0.5
MW389MR	Feeler Gauge Set - Metric, 100mm x 13 blades, 0.05 - 1.0
MW390MR	Feeler Gauge Set - Metric, 100mm x 20 blades, 0.05 - 1.0
MW391MR	Feeler Gauge Set - Metric, 75mm x 11 blades, 0.05 - 0.8
MW393MR	Feeler Gauge Set - Metric, 75mm x 20 blades, 0.05 - 1.0
MW911MR	Feeler Gauge Set - Metric, 100mm x 10 blades, 0.05 - 0.8
MW912MR	Feeler Gauge Set - Metric, 75mm x 10 blades, 0.05 - 0.8
MW200R	Screw cutting gauge
MW3306R	Caliper - 6" / 150mm Inside Firm Joint
MW3316R	Caliper - 6" / 150mm Outside Firm Joint
MW3366R	Jenny Caliper - 6" / 150mm Firm Joint
MW341R	Jenny Caliper - 5" / 125mm Firm Joint
MW56R	Jenny Caliper - 6" / 150mm Spring Joint
MW503R	Dividers - 3" / 75mm Spring Joint
MW504R	Dividers - 4" / 100mm Spring Joint
MW506R	Dividers - 6" / 150mm Spring Joint
MW513R	Calipers - 3" / 75mm Outside Spring Joint
MW514R	Calipers - 4" / 100mm Outside Spring Joint
MW516R	Calipers - 6" / 150mm Outside Spring Joint
MW523R	Calipers - 3" / 75mm Inside Spring Joint
MW524R	Calipers - 4" / 100mm Inside Spring Joint
MW526R	Calipers - 6" / 150mm Inside Spring Joint
MWELT001XR	Mini Level
MW4003R	Engineer's Square - 3" / 75mm Grade B
MW4004R	Engineer's Square - 4" / 100mm Grade BF
MW965R	Micrometer - External Imperial 0 - 1"
MW965MR	Micrometer - External Metric 0 - 25mm
MW1053MR	Wire Gauge - Metric, 40 slots 0.2 - 10.0mm
MW1067MR	Drill Gauge - Metric, 26 holes 0.5 - 13.0mm
MW43MR	Depth Gauge - Reversible Base
MW44MR	Depth Gauge - Protractor
MWSCT001XR	Scriber - Carbide Tipped
MWSCT-002R	Scriber - Fixed Carbide Tipped
MW801R	Screw Pitch Gauge - SI Metric
MW804R	Screw Pitch Gauge - SI Metric & Whitworth
MW806R	Screw Pitch Gauge - Unified
MW809R	Screw Pitch Gauge - ISO Metric
MW204MR	Radius Gauge - Metric, on ring, 0.75 - 5mm
MW204R	Radius Gauge - Imperial, on ring, 1/32 - 17/64"



**All instruments in this catalogue can be calibrated and supplied with a certificate on demand.
Please do not hesitate to contact us for details.**

Mutual recognition of equivalent calibration certificates.

List of participating organisations in the multilateral agreement WECC
dated December 1st 1989 and brands showing on the calibration certificates.



The Netherlands

Raad voor Accreditatie (RvA)
(Dutch Council for Accreditation)

Raad voor Accreditatie
P.O. Box 2768, NL-3500 GT
Utrecht, The Netherlands
Tel: +31 30 239 4500
Fax: +31 30 239 4539



Sweden

The Swedish Board for Accreditation and
Conformity Assessment (SWEDAC)

SWEDAC
Box 878
SE-50115 Borås, Sweden
Tel: +46 33 17 7700
Fax: +46 33 10 1392



Germany

Deutscher Kalibrierdienst (DKD)
(German Calibration Service)

Physikalisch-Technischen Bundesanstalt (PTB)
Bundesallee 100, D-38116
Braunschweig, Germany
Tel: +49 531 592 1901
Fax: +49 531 592 1905



Spain

Entidad Nacional de Acreditación(ENAC)

ENAC
Serrano, 240, 7º
ES-28016 Madrid, Spain
Tel: +34 91 457 3289
Fax: +34 91 458 6280



France

Comité Français d'Accreditation (COFRAC)

COFRAC
37, rue de Lyon
FR-75012 Paris, France
Tel: +33 1 44 68 82 20
Fax: +33 1 44 68 82 21



Denmark

Danish Agency for Trade and Industry
(DANAK)

Danish Agency for Trade and Industry
Langelinie Allé 17
DK-2100 Copenhagen, Denmark
Tel: +45 35 46 60 00
Fax : +45 35 46 62 02



United Kingdom

United Kingdom Accreditation Service (UKAS)

Technical Enquiries Office UKAS
21-47 High Street, Feltham, Middlesex
England TW13 4UN
Tel: +44 181 917 8400
Fax: +44 181 917 8500



Belgium

Belgische Kalibratie Organisatie
Organisation Belge d'etalonnage (BKO-OBE)

Ministry of Economic Affairs
Boulevard Emile Jacqmain 154
BE-1000 Brussels, Belgium
Tel: +32 2 206 4680
Fax: +32 2 206 5742



Italy

Servizio di Taratura in Italia (SIT)
(Italian Calibration Service)

Comitato del SIT, C/-IEN
Strada delle Cacce 73
IT-10135 Torino, Italy
Tel: +39 11 39 77 329
Fax: +39 11 39 77 372



Norway

Norwegian Accreditation, (NA)

Norwegian Metrology and Accreditation Service
Justervesenet
Fetveien 99
NO-2007 Kjeller, Norway
Tel: +47 64 848484
Fax: +47 64 848485

Calipers

Caliper - Vernier Workshop	100 series	2
Caliper - Vernier Workshop	105 series	2
Caliper - Precision Miniature	110 series	3
Caliper - Precision Vernier Caliper	110 series	3
Caliper - Vernier High Precision	112 series	4
Caliper - Vernier Precision	115 series	4
Caliper - Vernier For External Grooves	120 series	5
Caliper - Vernier For Internal Grooves	125 series	5
Caliper - Vernier Inside	145 series	6
Caliper - Vernier Workshop	160 series	6
Caliper - Vernier Large Workshop	150 series	7
Caliper - Vernier Solid Slider Large Workshop	152 series	7
Caliper - Vernier Long Jaw	155 series	8
Caliper - Dial	140 series	8
Caliper - Dial	141 series	9
Caliper - Dial	142 series	9
Caliper - Plastic Dial	CDP150M	10
Caliper - Digitronic Polycal	110-15DPC	10
Caliper - Mechatronic	110-ME series	11
Caliper - Digitronic Pocket	110-DPT series	11
Caliper - Digitronic Value Line	110-DBL series	12
Caliper - Digitronic	110-DDL series	12
Caliper - Water Resistant	110-WR series	13
Caliper - Digitronic Water Resistant	110-DWP series	13
Caliper - Digitronic Function Display	110-DFD series	14
Caliper - Digitronic Carbide Tipped	110-DCT series	14
Caliper - Digitronic Tube Type	110-15DTT series	15
Caliper - Digitronic Brake Disc	110-DBD series	15
Caliper - Digitronic Long Jaw	110-DLJ series	16
Caliper - Digitronic For External Grooves	120 series	16
Caliper - Digitronic For External Grooves	120 series	17
Caliper - Digitronic For Internal Grooves	125 series	17
Caliper - Digitronic For Internal Grooves	126 series	18
Caliper - Digitronic With Adjustable Jaw	141 series	18
Caliper - Digitronic Universal Groove	142 series	19
Caliper - Digitronic Small Groove	143 series	19
Caliper - Digitronic Pointed Jaw	144 series	20
Caliper - Digitronic With Knife Edge Jaws	145 series	20
Caliper - Digitronic Large Workshop	150 series	21
Caliper - Digitronic Nib Type Workshop	160 series	21

Depth Gauges

Depth Gauge - Vernier	170 series	22
Depth Gauge - Digitronic Caliper	170-DB series	23
Depth Gauge - Mechanical	172 series	24
Depth Gauge - Digitronic	172 series	24
Depth Gauge - Digitronic Tyre Profile	176 series	25
Depth Gauge - Precision Gear Modul	180 series	26
Depth Gauge - Vernier Precision Welding	182 series	26

Digital Scales

Digitronic Length Measuring System Vertical	MWDSV series	27
Digitronic Length Measuring System Horizontal	MWDSH series	27

Height Gauges

Height Gauge - Vernier	190 series	28
Height Gauge - Double Column	195 series	28
Height Gauge - Digitronic	190 series	29
Height Gauge - Digitronic	191 series	29
Height Gauge - Digitronic Double Column	195 series	30
Height Gauge - Digitronic	196 series	30

Micrometers

Micrometer - Outside	1961 and 1965 series	31
Micrometer - Outside Mechanical	1966 series	32
Micrometer - Ball Attachment	878 series	32
Micrometer - Setting Gauge	980 series	33
Micrometer - Outside	200 series	34
Micrometer - Outside Low Cost	200BL series	34
Micrometer - Outside	200 series	35
Micrometer - Digitronic	200 series	35
Micrometer - Double Display	200-DDP series	36
Micrometer - Digitronic Outside	201 series	36
Micrometer - Outside With Friction Thimble	202 series	37
Micrometer - Outside Quick Setting (100 Steps)	203 series	37
Micrometer - Digitronic With Jaws	206-DDL series	38
Micrometer - Outside Parallax Free	204 series	38
Micrometer - Outside Traditional	1971 series	39
Micrometer - Outside Large	210 series	39
Micrometer - Digitronic Outside Large	210-DDL series	40
Micrometer - Analogue Snap	290 series	40
Micrometer - Boxed Sets Traditional		41
Micrometer - Value Line Outside	215 series	41
Micrometer - Tubular Frame Traditional		42
Micrometer - Interchangeable Anvils	217 series	43
Micrometer - Outside Mechadigit Interchangeable Anvils	217-MD series	43
Micrometer - Outside Extra Large	220 series	44
Micrometer - Digitronic Outside Extra Large	220-DDL series	45
Micrometer - Outside Mechadigit Basic Digital	230-MDB series	46
Micrometer - Outside Mechadigit Digital	230-MD series	46
Micrometer - Screw Thread With Anvils	235 series	47
Micrometer - Digitronic Screw Thread with Anvils	235 series	47
Micrometer - Inserts Metric And Imperial	235 series	48
Micrometer - Universal Anvil Micrometer	237 DDL series	48
Micrometer - Disc	240 Series	49
Micrometer - Digitronic Disc	240-DDL series	49
Micrometer - V-Anvil	250 series	50
Micrometer - V-Anvil	250-DDL series	50
Micrometer - Tube	255 series	51
Micrometer - Digitronic Tube	255-DDL Series	51
Micrometer - Tube	257 Series	52
Micrometer - Digitronic Brake Disc	242-DDL Series	52
Micrometer - Spline	260 Series	53
Micrometer - Digitronic Spline	260 Series	53
Micrometer - Point	270 Series	54
Micrometer - Digitronic Point	270-DDL series	54
Micrometer - Outside Blade	275-DDL series	55
Micrometer - Digitronic Outside Blade	275-DDL series	55
Micrometer - Sheet Metal	278 series	56
Micrometer - Digitronic Sheet Metal	278-DDL series	56
Micrometer - Inside Caliper Type	280 series	57
Micrometer - Mechadigit Caliper Type	280-MD series	57
Micrometer - Inside Caliper Type	280-DDL series	58
Micrometer - Inside Tubular	300 series	58
Micrometer - Traditional Internal	900 series	59
Micrometer - Traditional Internal	783 series	59
Micrometer - Traditional Internal	G700/G710 series	60
Micrometer - Traditional Depth Gauge	890 to 892-12 series	61
Micrometer - Digitronic Depth	305-DDL series	61
Micrometer - Digitronic Standard Head	310-D series	62
Micrometer - Head	543 series	62
Micrometer - Extra Small Head	310 series	63
Micrometer - Small Head	310 series	63-64
Micrometer - Standard Head	310 series	65
Micrometer - Standard Head	311 series	65
Micrometer - Parallax Free Head	314 series	66
Micrometer - Stand	279 series	66

Bore Gauging

Caliper - Internal & External Minor	MWCAE/MMCAI series	67
Caliper - Digitronic Internal	432 series	68
Caliper - Digitronic External	442 series	68
Caliper - Dial Adjustable	201 series	69
Caliper - Universal Centre Finder With Indicator	612 series	69
Bore Gauge - Analogue		70
Bore Gauge - Digital	MWD / MWSD series	71
Bore Gauge - Sets	316 series	72
Bore Gauge - Digitronic Sets	316 series	72

Indicators

Indicator - Dial Test	420/421/422 series	73
Indicator - Dial Test Accessories	Z400 series	73
Indicator - Dial	400 series	74
Indicator - Digitronic	405 series	75
Indicator - Digitronic	410 series	75

Thickness Gauge

Thickness Gauge - Lifting Type	455 series	76
Thickness Gauge - Digitronic Lifting Type	455-D series	76
Thickness Gauge - Snapcal	461 series	77
Thickness Gauge - Digitronic Push Type	450-D series	77

Magnetic Indicator Stands

Magnetic Indicator Stand	470 series	78
Magnetic Indicator Stand	475 series	78
Snake Stand	496 series	79
Indicator Stand - Hydraulic Central Locking	485 series	79
Articulating Magnetic Base	477 series	80
Mini Magnetic Base	497 series	80
Magnetic Base Sets	496 / 477 series	81

Combination Sets

Combination Set	520 series	81
Combination Set - Traditional Precision	CSM300	82

Protractors

Bevel Protractor	BPRO series	83
Bevel Protractor - Universal	500 series	83
Bevel Protractor - Indicator	510 series	84
Protractor - Digitronic	500 series	84

Engineers Levels

Level - Engineers	ELS	85
Level - Engineers	ELM	85
Level - Mini	ELT	85
Level - Frame	ELF	86
Level - Engineers	550 series	86

Workshop Tools

Angle Meter - Hydraulic	530 series	87
Level - Digital Mini-Mag	570 series	87
Gauge Blocks - Steel	700 series	88
Gauge Blocks - Ceramic	705 series	89
Surface Plate - Cast-Iron	800 series	90
Surface Plate - Black Diabas Granite	810 series	91
Vee Blocks & Clamps	231 series	92
Vee Blocks Standard Pairs	200 series	92
Vee Blocks - Adjustable/Angle	830 series	93
Angle Plates - Webbed & Open End	E series	93
Engineers Straight Edge	310 series	94
Engineers Rule	MWER Series	95
Engineers Square	400 series	96
Engineers Square	910 series	96
Engineers Rule	900 series	97
Scriber - Carbide Tipped	SCT Series	97
Sliding "T" Square	MWDS	98
Surface Gauge		98
Wire Gauge - Standard	MW1053M	99
Drill Gauge	MW1067M	99

Hand Tools

Jenny (Hermaphrodite) Calipers		100
Calipers - Inside And Outside		101
Feeler Gauge Sets - Precision Range		102
Feeler Strip	126M series	103
Feeler Strip Sets	MWFS20M	103
Screw Cutting Gauges	200 series	104
Radius Gauges	206M & 204M	104
Screw Pitch Gauges	800 series	105
Telescopic Gauges	315 Series	106
Angle Meter	946 series	107
Depth Gauge	43M & 44M	107

Retail Packed Products

Retail Packed Products		108
------------------------	--	-----

100 Series

100 series	Caliper - Vernier Workshop	2
105 series	Caliper - Vernier Workshop	2
110 series	Caliper - Precision Miniature	3
110 series	Caliper - Precision Vernier Caliper	3
112 series	Caliper - Vernier High Precision	4
115 series	Caliper - Vernier Precision	4
120 series	Caliper - Vernier For External Grooves	5
125 series	Caliper - Vernier For Internal Grooves	5
145 series	Caliper - Vernier Inside	6
160 series	Caliper - Vernier Workshop	6
150 series	Caliper - Vernier Large Workshop	7
152 series	Caliper - Vernier Solid Slider Large Workshop	7
155 series	Caliper - Vernier Long Jaw	8
140 series	Caliper - Dial	8
141 series	Caliper - Dial	9
142 series	Caliper - Dial	9
110-15DPC	Caliper - Digitronic Polycal	10
110-ME series	Caliper - Mechatronic	11
110-DPT series	Caliper - Digitronic Pocket	11
110-DBL series	Caliper - Digitronic Value Line	12
110-DDL series	Caliper - Digitronic	12
110-WR series	Caliper - Water Resistant	13
110-DWP series	Caliper - Water Resistant	13
110-DFD series	Caliper - Digitronic Function Display	14
110-DCT series	Caliper - Digitronic Carbide Tipped	14
110-15DTT series	Caliper - Digitronic Tube Type	15
110-DBD series	Caliper - Digitronic Brake Disc	15
110-DLJ series	Caliper - Digitronic Long Jaw	16
120 series	Caliper - Digitronic For External Grooves	16
120 series	Caliper - Digitronic For External Grooves	17
125 series	Caliper - Digitronic For Internal Grooves	17
126M series	Feeler Strip	103
126 series	Caliper - Digitronic For Internal Grooves	18
141 series	Caliper - Digitronic With Adjustable Jaw	18
142 series	Caliper - Digitronic Universal Groove	19
143 series	Caliper - Digitronic Small Groove	19
144 series	Caliper - Digitronic Pointed Jaw	20
145 series	Caliper - Digitronic With Knife Edge Jaws	20
150 series	Caliper - Digitronic Large Workshop	21
160 series	Caliper - Digitronic Nib Type Workshop	21
170 series	Depth Gauge - Vernier	22
170-DB series	Depth Gauge - Digitronic Caliper	23
172 series	Depth Gauge - Mechanical	24
172 series	Depth Gauge - Digitronic	24
176 series	Depth Gauge - Digitronic Tyre Profile	25
180 series	Depth Gauge - Precision Gear Modul	26
182 series	Depth Gauge - Vernier Precision Welding	26
190 series	Height Gauge - Vernier	28
195 series	Height Gauge - Double Column	28
190 series	Height Gauge - Digitronic	29
191 series	Height Gauge - Digitronic	29
195 series	Height Gauge - Digitronic Double Column	30
196 series	Height Gauge - Digitronic	30
1961 and 1965 series	Micrometer - Outside	31
1966 series	Micrometer - Outside Mechanical	32

200 Series

200 series	Micrometer - Outside	34
200BL series	Micrometer - Outside Low Cost	34
200 series	Micrometer - Outside	35
	Micrometer - Digitronic	35
200 series	Screw Cutting Gauges	104
200 series	Vee Blocks Standard Pairs	92
200-DDP series	Micrometer - Double Display	36

201 series	Micrometer - Digitronic Outside	36
201 series	Caliper - Dial Adjustable	69
202 series	Micrometer - Outside With Friction Thimble	37
203 series	Micrometer - Outside Quick Setting (100 Steps)	37
204 series	Micrometer - Outside Parallax Free	38
206M & 204M	Radius Gauges	104
206-DDL series	Micrometer - Digitronic With Jaws	38
210 series	Micrometer - Outside Large	39
210-DDL series	Micrometer - Digitronic Outside Large	40
231 series	Vee Blocks & Clamps	92
290 series	Micrometer - Analogue Snap	40
	Micrometer - Boxed Sets Traditional	41
215 series	Micrometer - Value Line Outside	41
	Micrometer - Tubular Frame Traditional	42
217 series	Micrometer - Interchangeable Anvils	43
217-MD series	Micrometer - Outside Mechadigit Interchangeable Anvils	43
	Micrometer - Outside Extra Large	44
220 series	Micrometer - Digitronic Outside Extra Large	45
220-DDL series	Micrometer - Outside Mechadigit Basic Digital	46
230-MDB series	Micrometer - Outside Mechadigit Digital	46
230-MD series	Micrometer - Screw Thread With Anvils	47
235 series	Micrometer - Digitronic Screw Thread With Anvils	47
235 series	Micrometer - Inserts Metric And Imperial	48
237 DDL series	Micrometer - Universal Anvil Micrometer	48
240 Series	Micrometer - Disc	49
240-DDL series	Micrometer - Digitronic Disc	49
250 series	Micrometer - V-Anvil	50
250-DDL series	Micrometer - V-Anvil	50
255 series	Micrometer - Tube	51
255-DDL Series	Micrometer - Digitronic Tube	51
257 Series	Micrometer - Tube	52
242-DDL Series	Micrometer - Digitronic Brake Disc	52
260 Series	Micrometer - Spline	53
260 Series	Micrometer - Spline	53
270 Series	Micrometer - Point	54
270-DDL series	Micrometer - Digitronic Point	54
275-DDL series	Micrometer - Outside Blade	55
275-DDL series	Micrometer - Digitronic Outside Blade	55
278 series	Micrometer - Sheet Metal	56
278-DDL series	Micrometer - Digitronic Sheet Metal	56
279-A series	Micrometer - Stand	66
280 series	Micrometer - Inside Caliper Type	57
280-MD series	Micrometer - Mechadigit Caliper Type	57
280-DDL series	Micrometer - Inside Caliper Type	58
300 Series		
300 series	Micrometer - Inside Tubular	58
305-DDL series	Micrometer - Digitronic Depth	61
310-D series	Micrometer - Digitronic Standard Head	62
310 series	Micrometer - Extra Small Head	63
310 series	Micrometer - Small Head	63-64
310 series	Micrometer - Standard Head	65
310 series	Engineers Straight Edge	94
311 series	Micrometer - Standard Head	65
314 series	Micrometer - Parallax Free Head	66
315 Series	Telescopic Gauges	106
316 series	Bore Gauge - Sets	72
316 series	Bore Gauge - Digitronic Sets	72

400 Series

400 series	Indicator - Dial	74
400 series	Engineers Square	96
405 series	Indicator - Digitronic	75
410 series	Indicator - Digitronic	75
420/421/422 series	Indicator - Dial Test	73
432 series	Caliper - Digitronic Internal	68
442 series	Caliper - Digitronic External	68
450-D series	Thickness Gauge - Digitronic Push Type	77
455 series	Thickness Gauge - Lifting Type	76
455-D series	Thickness Gauge - Digitronic Lifting Type	76
461 series	Thickness Gauge - Snapcal	77
470 series	Magnetic Indicator Stand	78
475 series	Magnetic Indicator Stand	78
477 series	Articulating Magnetic Base	80
485 series	Indicator Stand - Hydraulic Central Locking	79
496 series	Snake Stand	79
497 series	Mini Magnetic Base	80
496 / 477 series	Magnetic Base Sets	81

500 Series

500 series	Bevel Protractor - Universal	83
510 series	Bevel Protractor - Indicator	84
520 series	Combination Set	81
530 series	Angle Meter - Hydraulic	87
543 series	Micrometer Heads	62
550 series	Level - Engineers	86
570 series	Level - Digitronic Mini-Mag	87

600 Series

612 series	Caliper - Universal Centre Finder With Indicator	69
------------	--	----

700 Series

700 series	Gauge Blocks - Steel	88
705 series	Gauge Blocks - Ceramic	89
783 series	Micrometer - Traditional Internal	59

800 Series

800 series	Screw Pitch Gauges	105
800 series	Surface Plate - Cast-Iron	90
810 / 811 series	Surface Plate - Black Diabas Granite	91
830 series	Vee Blocks - Adjustable/Angle	93
878 series	Micrometer - Ball Attachment	32
890 to 892-12 series	Micrometer - Traditional Depth Gauge	61

900 Series

900 series	Micrometer - Traditional Internal	59
900 series	Engineers Rule	97
910 series	Engineers Square	96
946 series	Angle Meter	107
971 series	Micrometer - Outside Traditional	39
980 series	Micrometer - Setting Gauge	33

D

Digiscale series	Digital Scales - Digitronic Length Measuring System Vertical	27
Digiscale series	Digital Scales - Digitronic Length Measuring System Horizontal	27

E

E series	Angle Plates - Webbed & Open End	93
----------	----------------------------------	----

G

G700/G710 series	Micrometer - Traditional Internal	60
------------------	-----------------------------------	----

MW

MWCAE / MWCAI series	Caliper - Internal & External Minor	67
MWD / MWSD series	Bore Gauge - Digitronic	71
MWER Series	Engineers Rule	95

S

SCT Series	Scriber - Carbide Tipped	97
------------	--------------------------	----

Z

Z400 series	Indicator - Dial Test Accessories	73
-------------	-----------------------------------	----