

# WIRE TRACER LKZ-710



Wire tracer LKZ-710 is designed to locate electrical cables embedded in different materials (concrete, bricks, wood) in buildings. It can be also used to detect live cables without a need to disconnect any appliances from tested installations.

### Standard accessories of the meter LKZ-710:

- pin probe with banana connector - yellow
- pin probe with banana connector - black
- „crocodile” clip K01; black
- „crocodile” clip K02; yellow

- WASONYEOGB1** - carrying case M1
- WASONBLOGB1** - operating manual
- WAKROBL20K01** - battery (LKO)
- WAKROYE20K02**

**WAFUTM1**

### Optional accessories of the meter LKZ-710:

- test lead on a reel with banana plugs; 20m red

- WAPRZ020REBS** - earth contact test probe (rod); (26cm)
- test lead on a reel

**WASONG26**  
**WAP0ZSZP1**

**Sonel S.A.**  
 ul. Wokulskiego 11  
 58-100 Świdnica, PL  
 tel. +48 74 85 83 860  
 fax +48 74 85 83 809

[export@sonel.pl](mailto:export@sonel.pl)  
[www.sonel.pl](http://www.sonel.pl)



# LKZ-710

- **Detection of wires (live or using external power source):**
  - detection of wires in ceilings, walls and floors,
  - locating power points and switches in buildings,
  - locating short circuits between leads (using external power source),
  - tracing wires in metal ducts.
- **Identification of fuses on the distribution board.**
- **Tracing conductive water and heating pipelines (using external power source).**
- **Non-contact detection of live wires.**
- **Signalling of transmitter and receiver operation by LED and sound.**
  - indication of signal level on dotted light line.
- **Features:**
  - operation in wide range of rated voltage, 12V DC (24V AC)...250V,
  - two modes of transmitter amplification,
  - adjustment of receiver sensitivity level,
  - modes of wire tracer operation - current (detection of magnetic field),
  - transmitter powered from tested installation.

|   |  |
|---|--|
| <b>Electric security:</b>                         |  |
| - type of insulation                              | double, according to EN 61010-1            |
| - measurement category                            | CAT III 300V acc. to EN 61010-1            |
| - transmitter's protection class acc. to EN 60529 | IP40                                       |
| - receiver's protection class acc. to EN 60529    | IP40                                       |
| <b>Other technical data:</b>                      |  |
| - transmitter's power supply                      | external source AC min. 24V or DC min. 12V |
| - transmitter's max working voltage               | 250Vrms (353Vamp)                          |
| - transmitter's dimensions                        | 128 x 66 x 28 mm                           |
| - transmitter's weight                            | approx. 300 g                              |
| - detector's max range                            | 60cm                                       |
| - non-contact neon max range                      | 20cm (in air), 3cm (in concrete)           |
| - receiver's power supply                         | battery 9V 6LR61 alkaline                  |
| - receiver's dimensions                           | 210 x 82 x 24 mm                           |
| - receiver's weight                               | approx. 200 g                              |

|                                      |             |
|--------------------------------------|-------------|
| <b>Rated operational conditions:</b> |             |
| - operating temperature              | -20...+50°C |

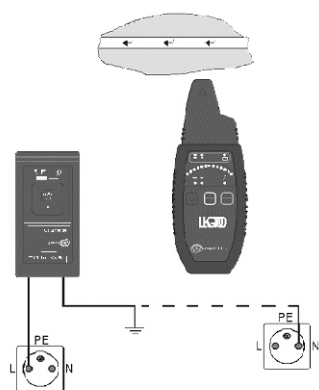


Fig 1. Detection of cables in wall.

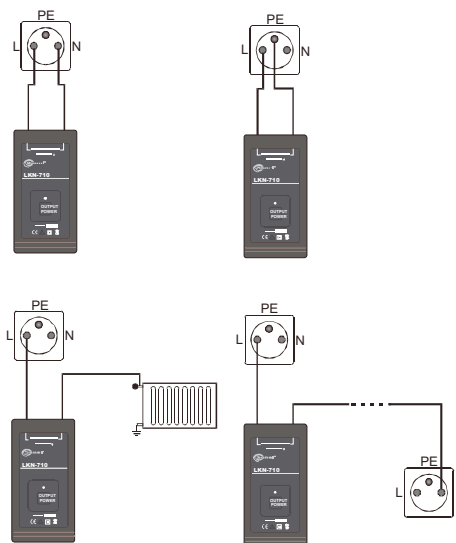


Fig 2. Detection of cables – different ways of connecting the transmitter.

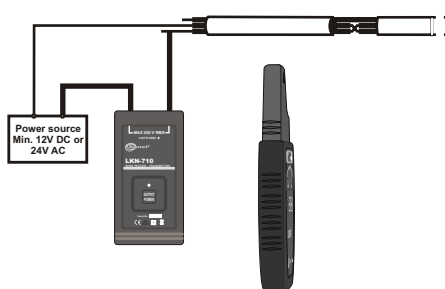


Fig 3. Locating short circuit in a cable.

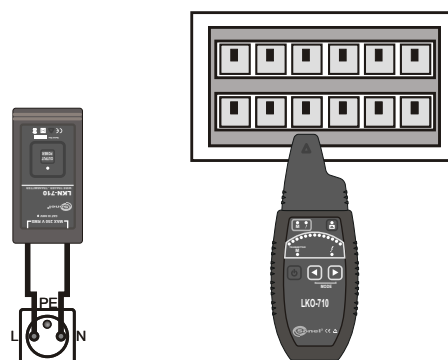


Fig 4. Identification of circuit breakers in a distribution board.