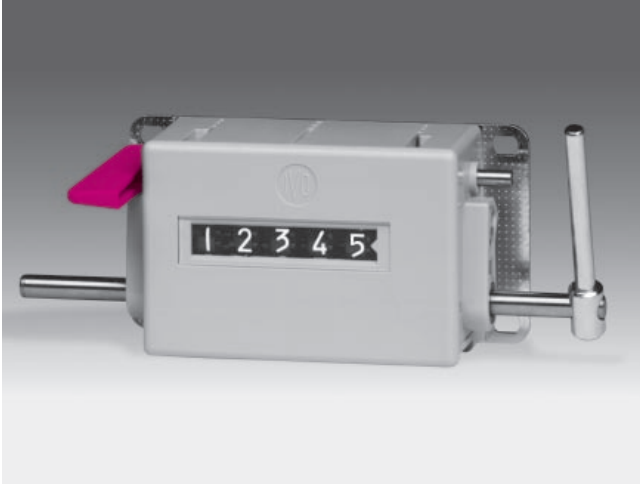


Mechanical Stroke Counters, Meter Counters, Revolution Counters with Lever Reset



H 410, M 410, U 410



H 410 Stroke counter



M 410 Meter counters



U 410 Revolution counters

Features

- Stroke counter adding
- Meter or revolution counter adding/subtracting
- With lever reset

Technical data

H 410 Stroke counter

Counting mode	In direction of stroke to be defined, adding 1 stroke = 1 digit
Measuring range	99999
Stroke extent	Min. 38°, max. 60°
Stroke lever	Adjustable by choice on drive shaft. Stroke lever returns automatically to initial position.
Load	Max. 500 strokes/min.

M 410, M 411 Meter counter

Counting mode	In direction of defined rotation, adding. Subtracting in reverse direction.
Measuring range	9999.9 m, 999.99 m/cm (decimal display in red) 9999.95 m/cm
Load	With measuring wheel 50 cm: max. 200 m/min Without measuring wheel: max. 3000 digits/min M 411: max. 1000 rotat./min

U 410, U 411 Revolution counters

Counting mode	In direction of defined rotation, adding Subtracting in reverse direction. 1 revolution = 1 digit
Measuring range	99999
Load	Max. 3000 rotation/min U 411: max. 1000 rotation/min

M 411, U 411

Common technical data

Display	5-digit
Digit size	Approx. 7 mm high, white on black
Reset	By pushing the socket lever, mounted on right or left side, user choice. Do not let snap or jerk lever.
Drive shaft	
H 410, M 410, U 410	Projecting on both sides, $\varnothing 7$ mm
M 411, U 411	In the middle, projecting downwards, $\varnothing 7$ mm (see dimensional drawing)
Housing material	Hostaform (POM), gray
Mounting	4-bores on base-plate
Base-plate	Steel, 2.5 mm thick, galvanized
Ambient temperature	0...+60 °C
Weight	Approx. 380 g

Order designation M 410 (drive on both sides)

Order no.	Housing / Mounting
A	Gray, lateral mounting
B	Gray, with hinged plate
Counting mode	
02	1 revolution = 10 digits*
03	2 revolutions = 10 digits
04	5 revolutions = 10 digits*
06	5 revolutions = 100 digits*
07	2 revolutions = 100 digits*
Sense of rotation / Display	
C	Sense of rotation I, 9999.9 m
D	Sense of rotation II, 9999.9 m
E	Sense of rotation I, 999.99 m/cm
F	Sense of rotation II, 999.99 m/cm
G	Sense of rotation I, 9999.95 m/cm
H	Sense of rotation II, 9999.95 m/cm

M 410.010 □□□□ **Meter counter**

* Supplement for non-standard ratios.

Order designations H 410, U 410 (drive on both sides)

Order no.	Counting mode
Stroke counter	
02	1 stroke = 1 digit, stroke lever 59 mm
Revolution counter	
01	1 revolution = 1 digit
02	1 revolution = 10 digits
Measuring direction / Display	
Stroke counter	
A	Stroke direction I / 99 999
B	Stroke direction II / 99 999
Revolution counter	
A	Sense of rotation I / 99 999
B	Sense of rotation II / 99 999

H 410.010A □□□□ **Stroke counter**

U 410.010A □□□□ **Revolution counter**

Order designations M 411, U 411 (drive from below)

Order no.	Counting mode
Meter counter	
03	2 revolutions = 10 digits = 1.0 m
Revolution counter	
01	1 revolution = 1 digit
Sense of rotation / Display	
Meter counter	
C	Sense of rotation I / 9999.9 m
D	Sense of rotation II / 9999.9 m
Revolution counter	
A	Sense of rotation I / 99 999
B	Sense of rotation II / 99 999

M 411.010A □□□□ **Meter counter**

U 411.010A □□□□ **Revolution counter**

Mechanical Stroke Counters, Meter Counters, Revolution Counters with Lever Reset

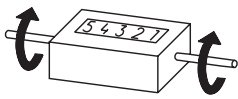


H 410, M 410, U 410

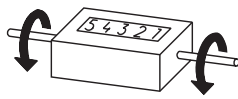
Overview

Type	Counting mode	Wheel circumf.	Measur. accuracy	Measur. range	Decimal digits
H 410	1 storke = 1 digit	–	–	999999	–
M 410	1 rotation = 10 digits = 1.0 m	1 m	dm	9999.9	red digit
M 410	2 rotations = 10 digits = 1.0 m	50 cm	dm	9999.9	red digit
M 410	2 rotations = 100 digits = 1.00 m	50 cm	cm	999.99	red digit
M 410	5 rotations = 10 digits = 1.0 m	20 cm	dm	9999.9	red digit
M 410	5 rotations = 100 digits = 1.00 m	20 cm	cm	999.99	red digit
M 411	2 rotations = 10 digits = 1.0 m	50 cm	dm	9999.9	red digit
U 410	1 rotation = 1 digit	–	–	999999	–
U 410	1 rotation = 10 digits	–	–	999999	–
U 411	1 rotation = 1 digit	–	–	999999	–

Sense of rotation / Stroke direction

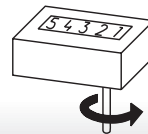


Away from user
Sense of rotation or stroke direction I

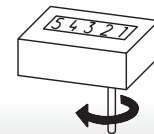


Towards user
Sense of rotation or stroke direction II

Sense of rotation M 411, U 411



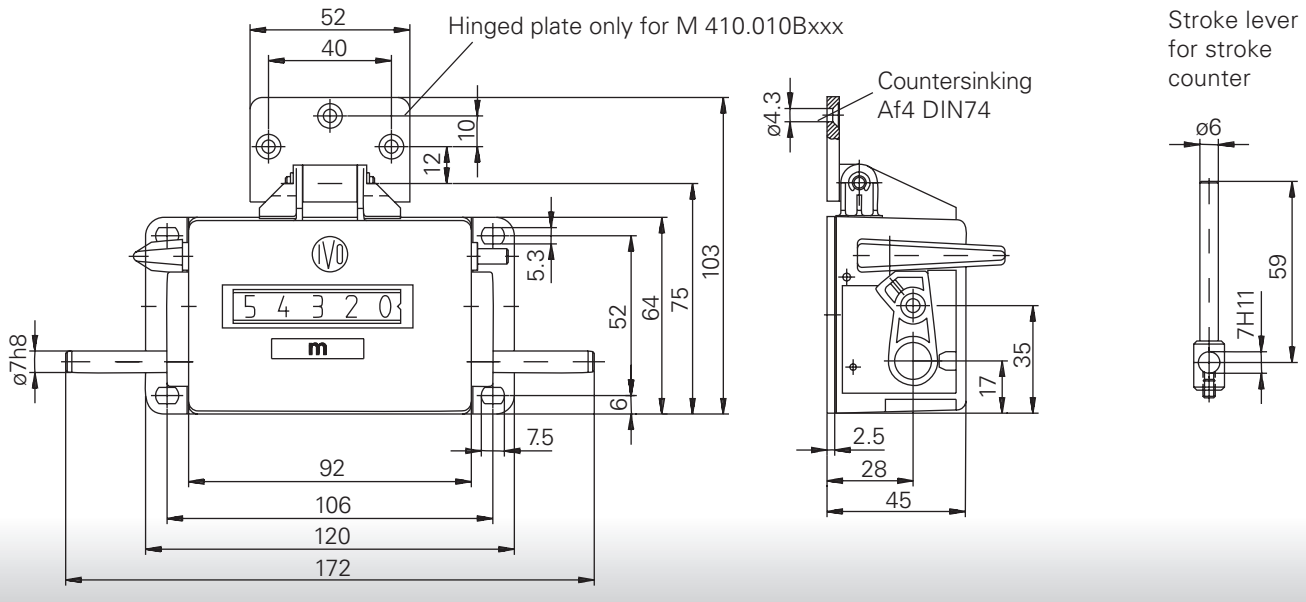
Sense of rotation I



Sense of rotation II

M 411, U 411

Dimensions H 410, M 410, U 410



Dimensions M 411, U 411

